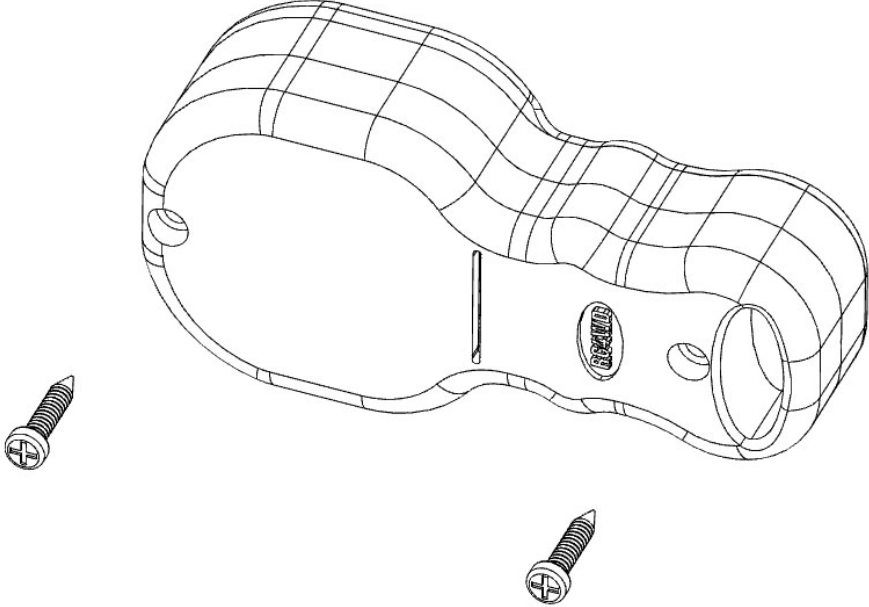
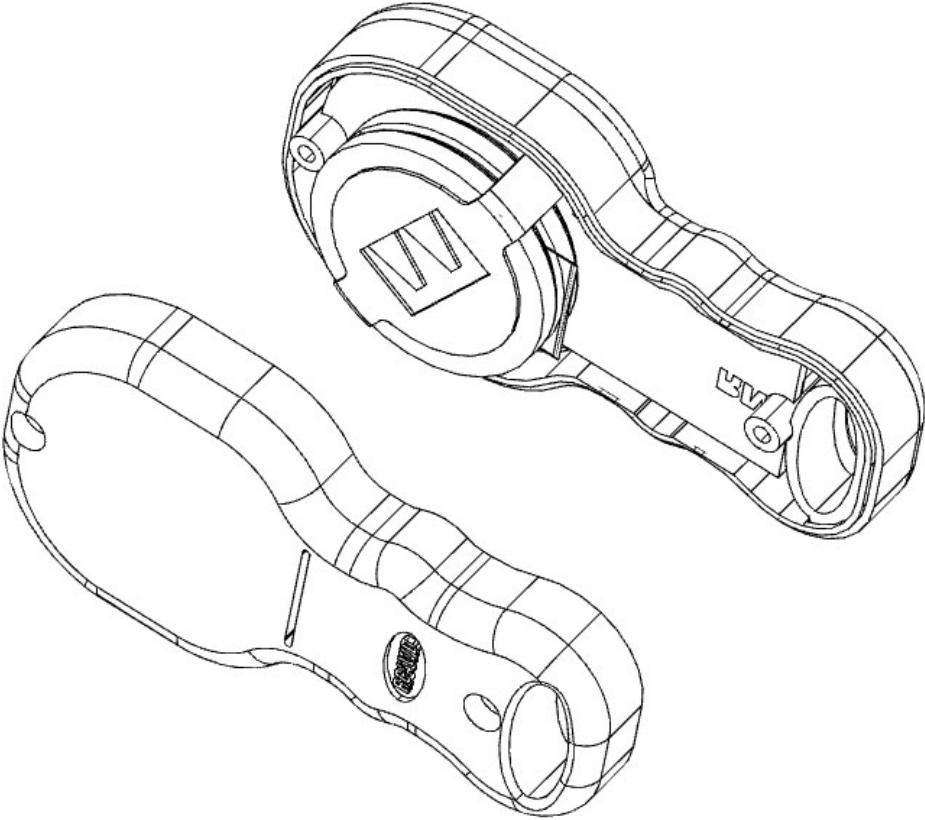


# Battery Replacement Instruction for Warn Wireless Controller

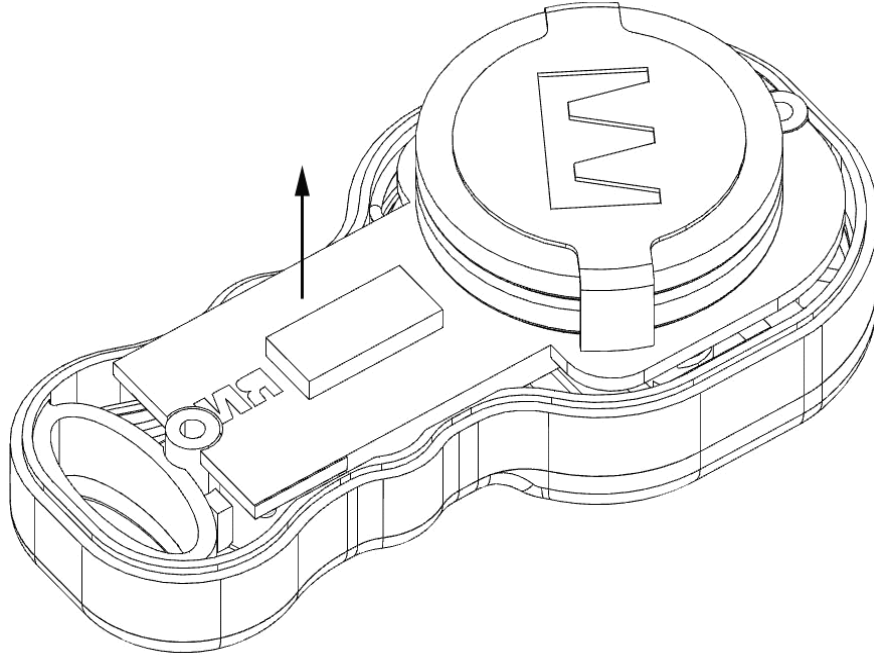
1. Use Phillips screwdriver to remove the screws.



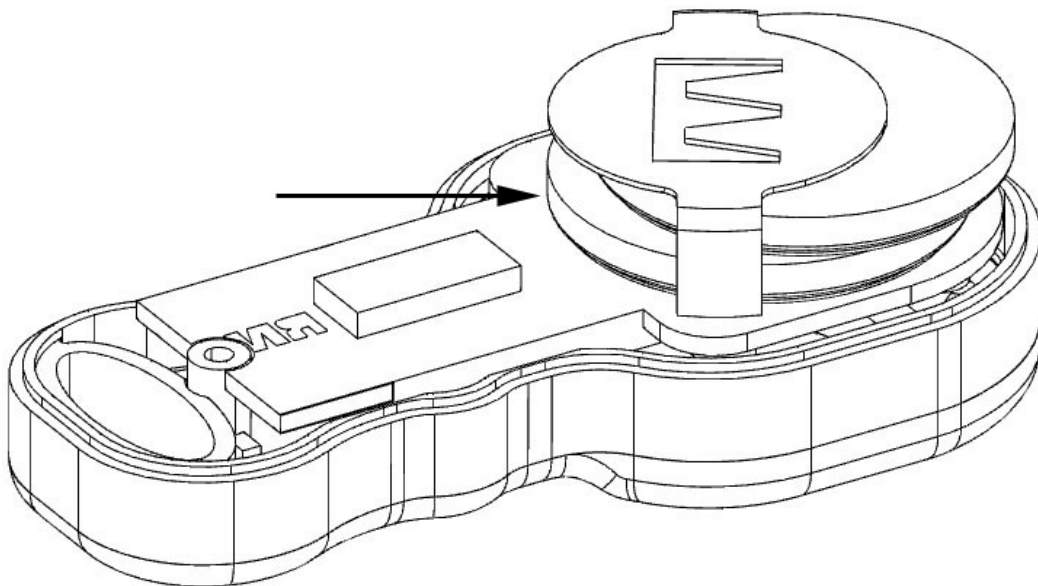
2. Remove the case back.



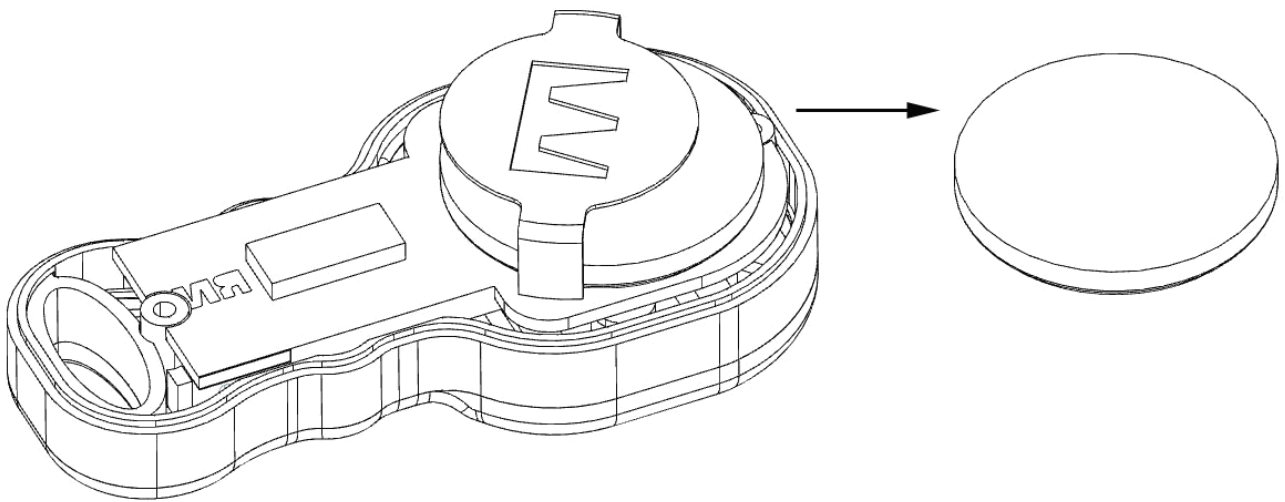
3. Wiggle the circuit board back and forth making sure to keep it flat/horizontal with the case front. This process is very important to raise the electronic board just enough to remove the battery. You do not need to fully remove the circuit board.



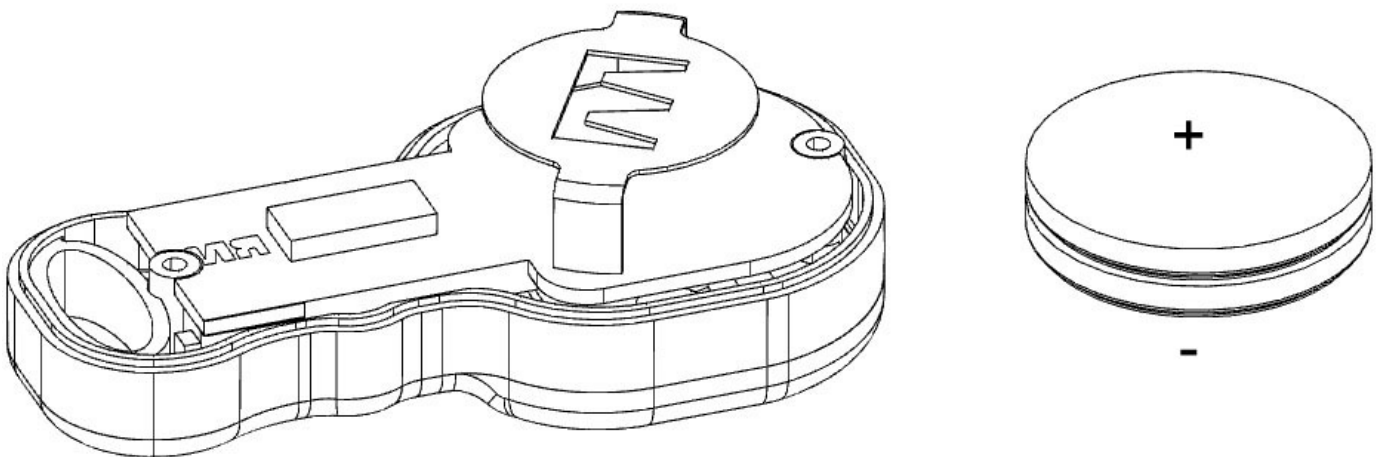
4. Use some small force to remove the current batteries.



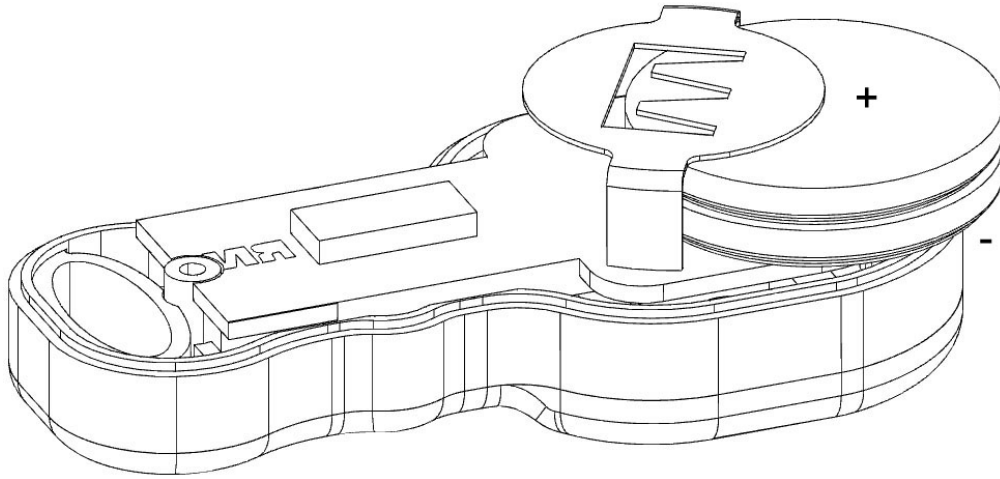
5. First pull out the top battery, then remove the bottom battery.



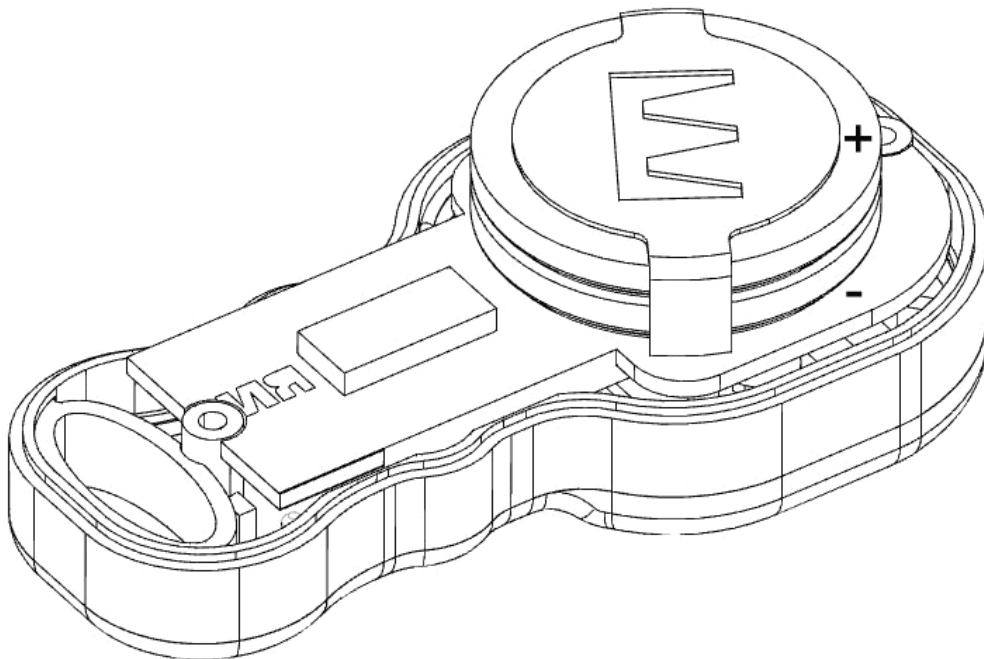
6. When installing the new batteries, make sure they are in the proper configuration. Positive facing up, and negative facing down.



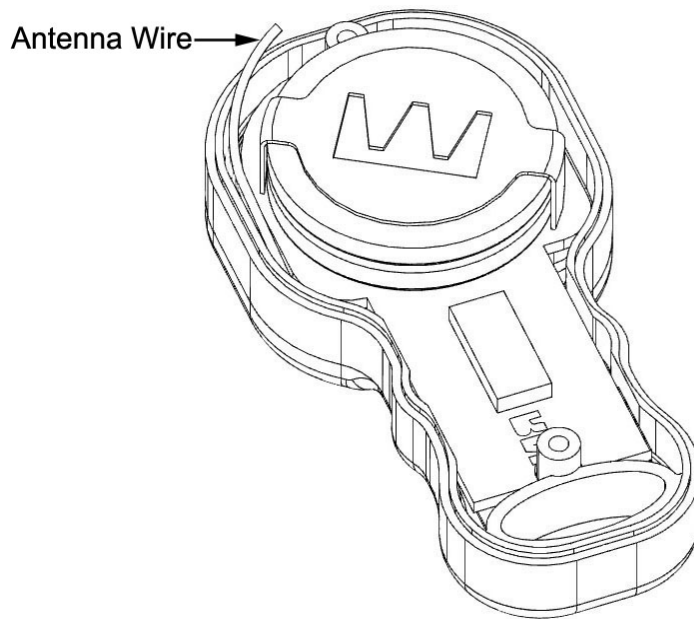
7. Install the new batteries. Push the two batteries into the circuit board at the same time. (make sure not to use too much force)



Note: The positive needs to be facing up, and the negative side facing down on both batteries.



8. Carefully push the circuit board back into the case front.



Note: Make sure to put the antenna wire outside the circuit board. It needs to be on the outside and not trapped under the circuit board or it will hit the button. Please pay special attention when doing this as the antenna wire is very important in the use of your wireless remotes operation.

9. Reinstall the rear case and install the two screws with the Phillips screw driver.

