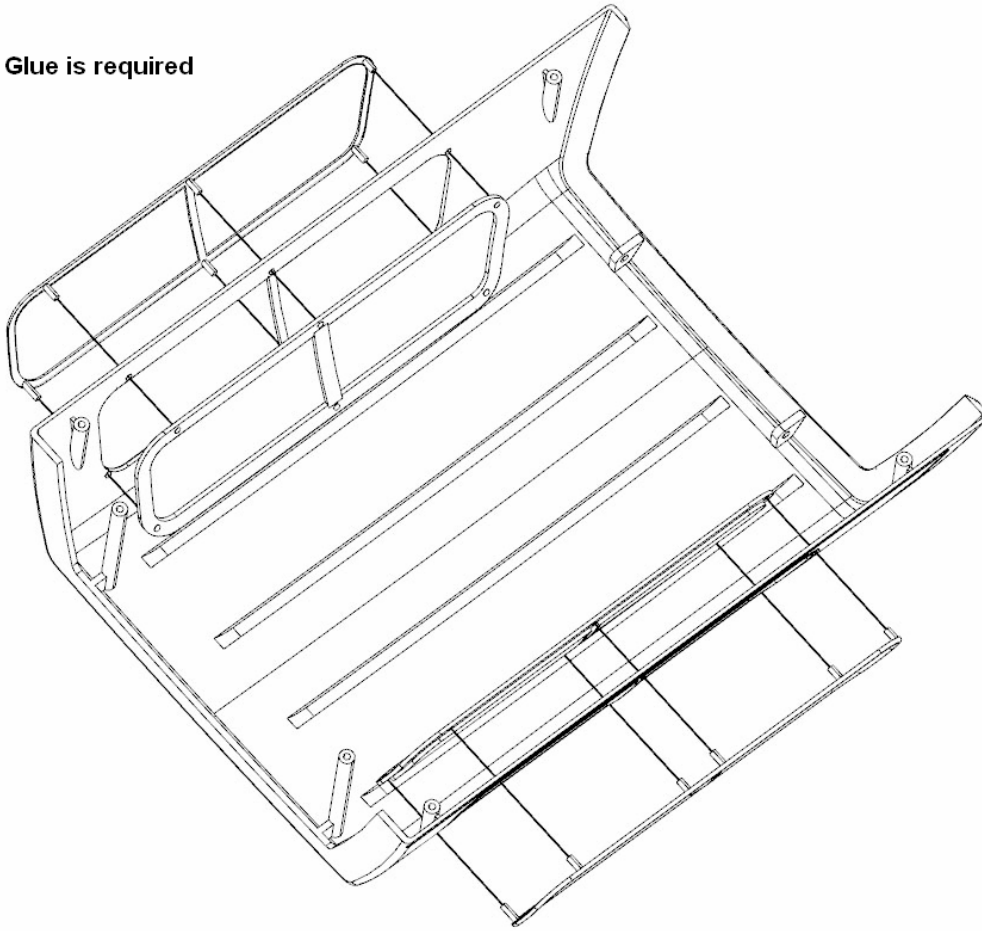


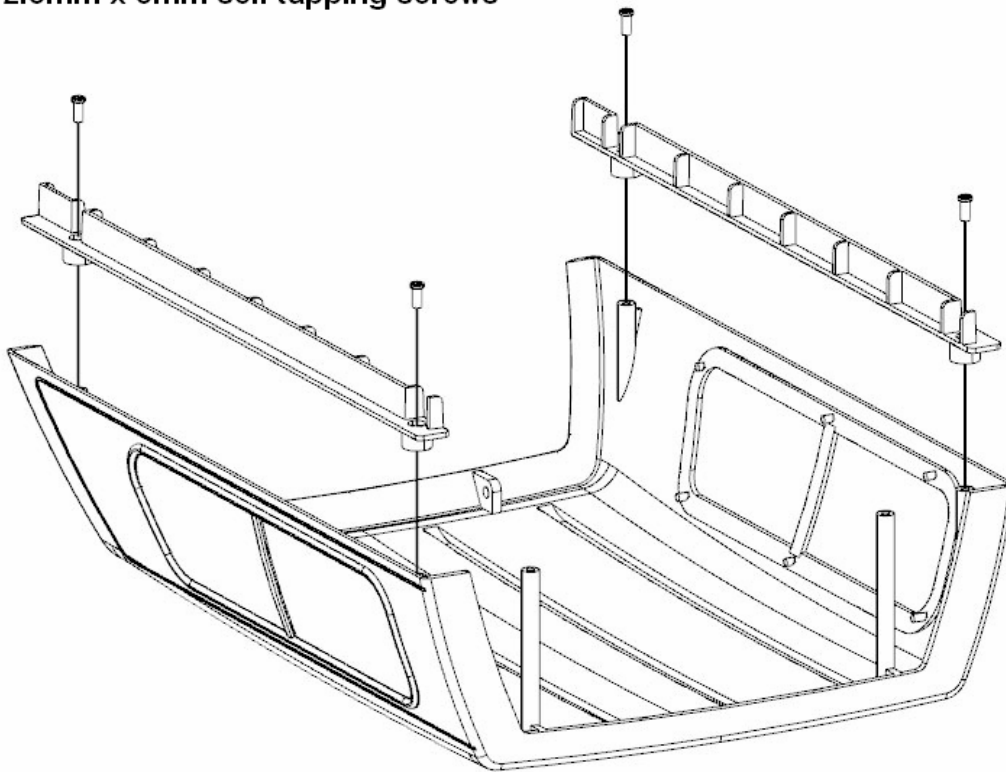
1

Glue is required

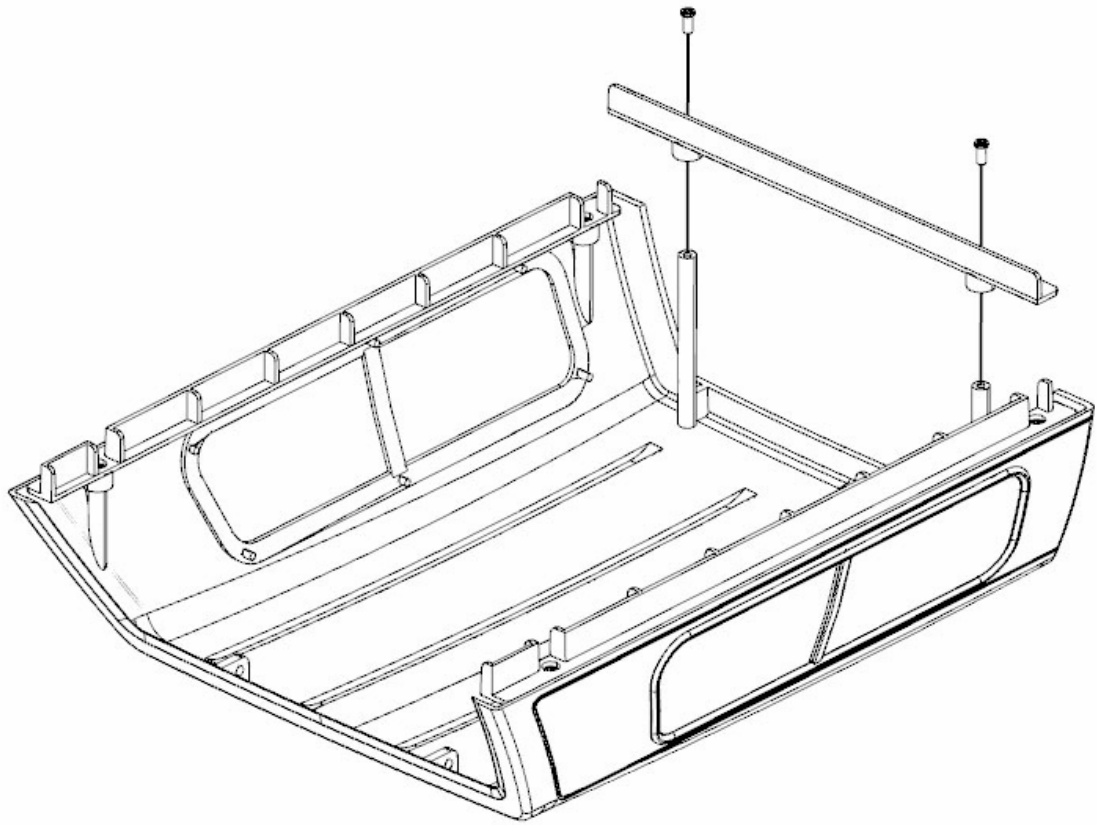


2

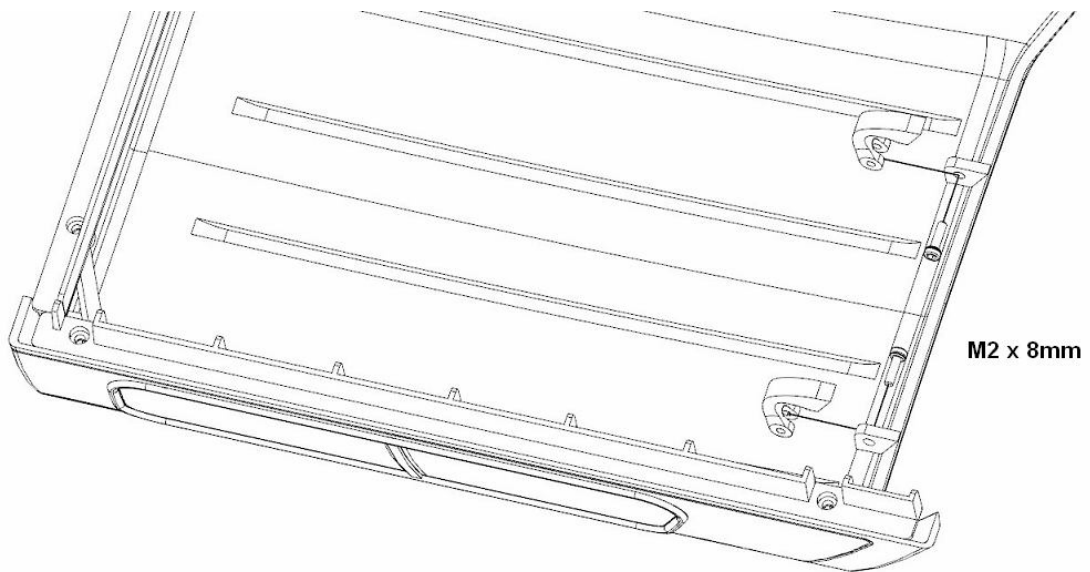
2.3mm x 5mm self tapping screws



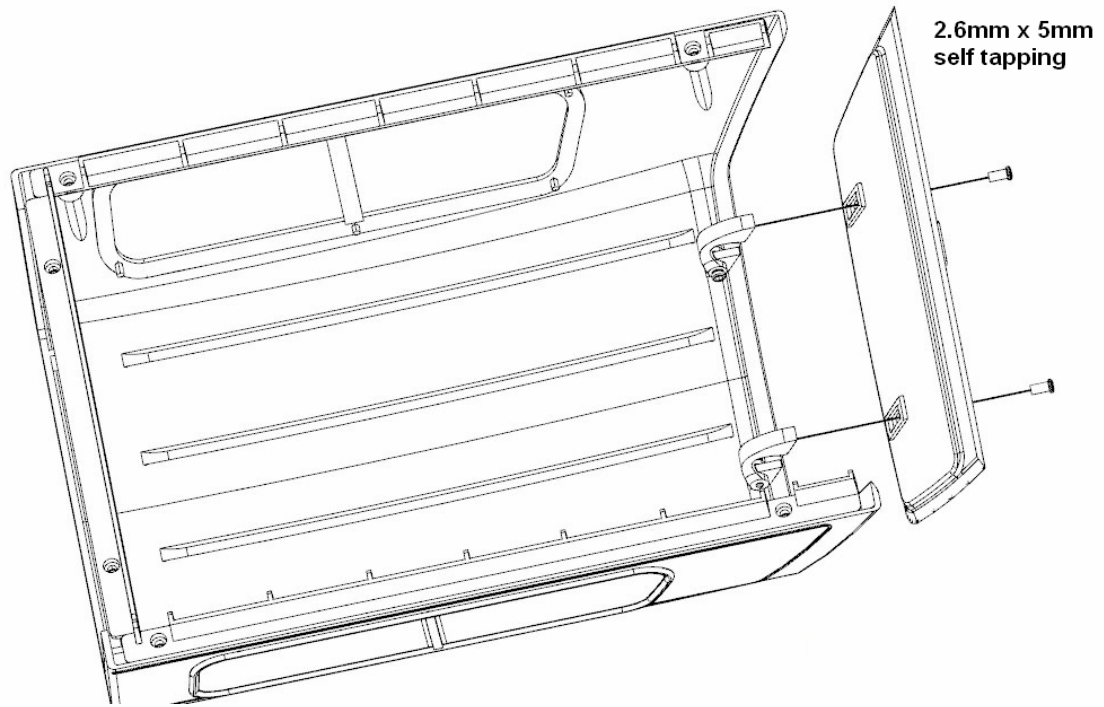
3



4



5



6

Glue to the rear body

