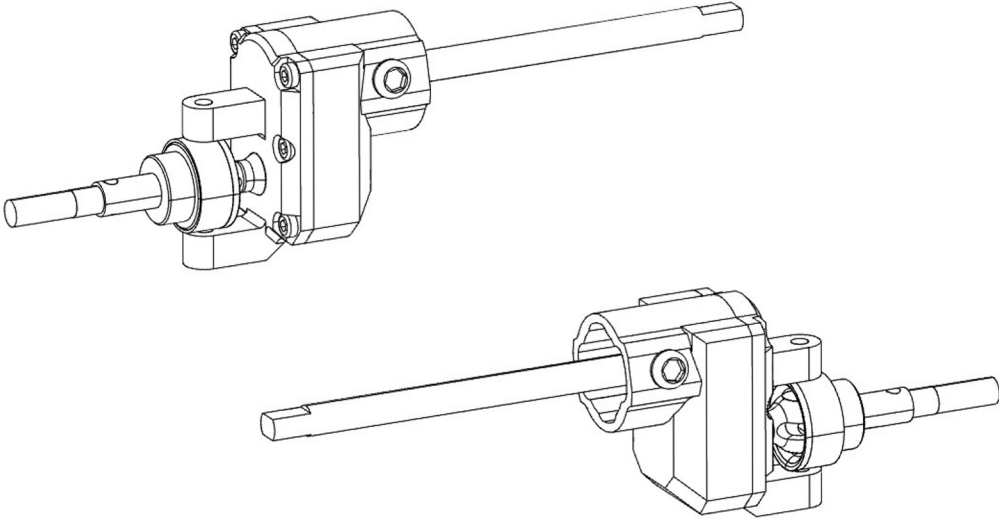
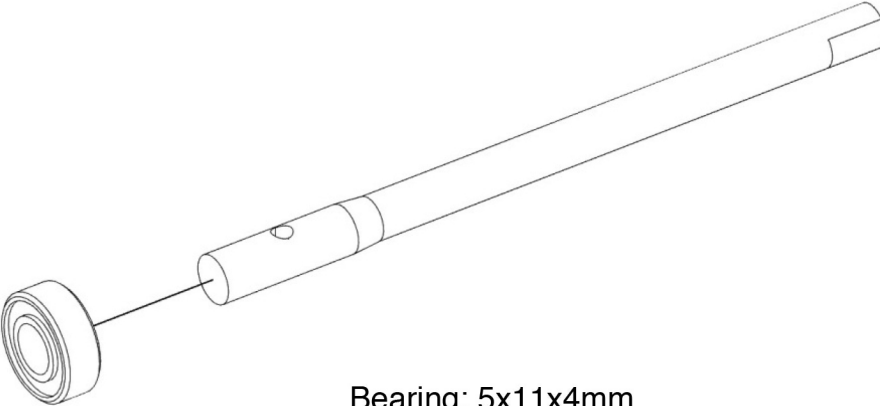


Front Portal Axle Units for Axial SCX10

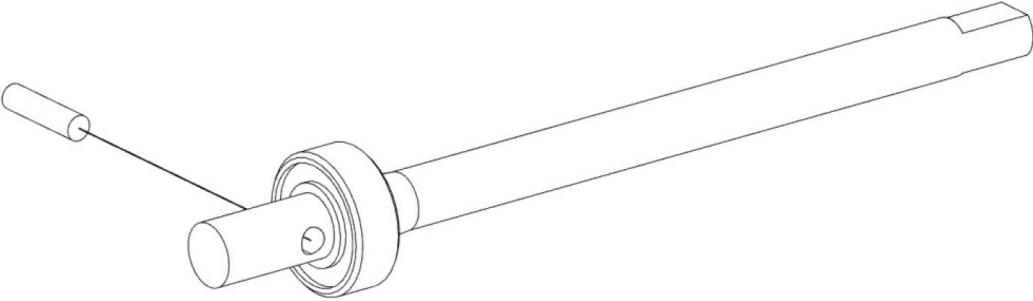


1.



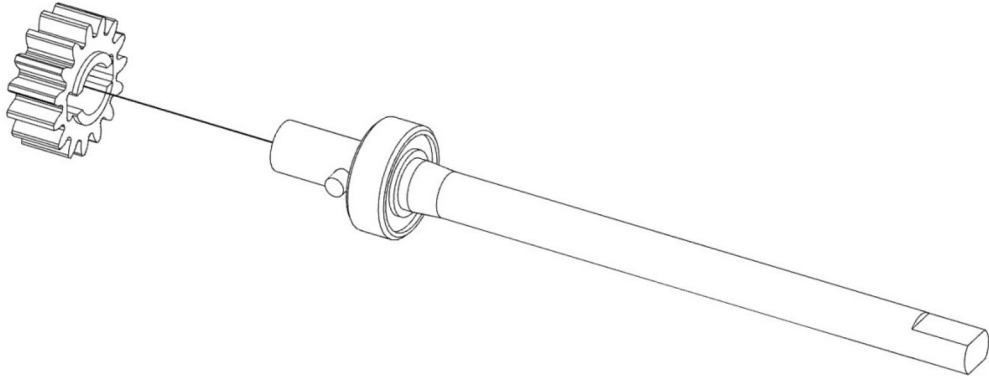
Bearing: 5x11x4mm

2.



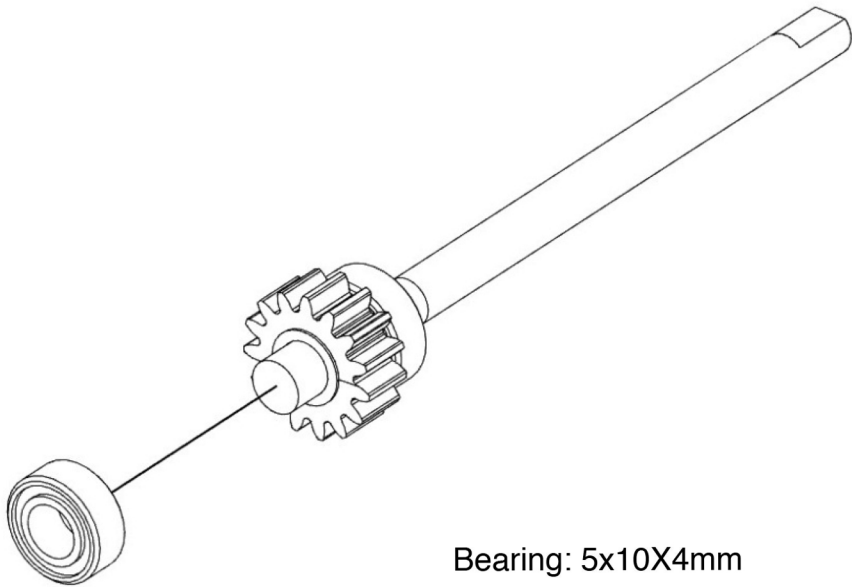
Pin: 2x8mm

3.



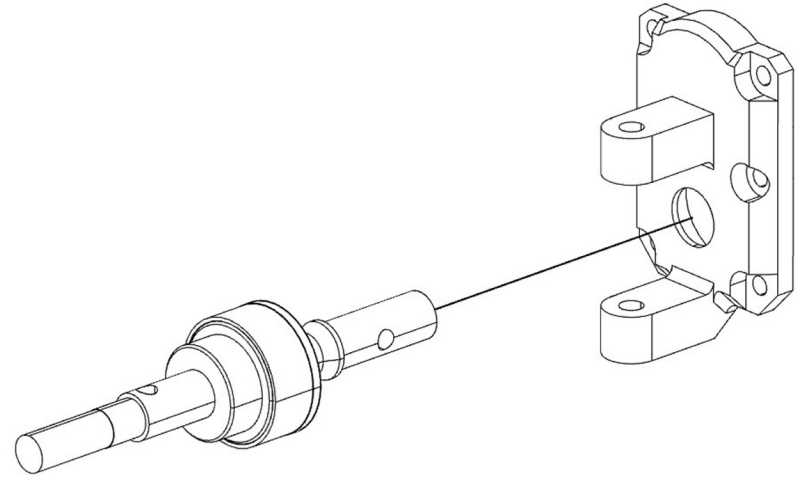
Gear: 15T 32P

4.

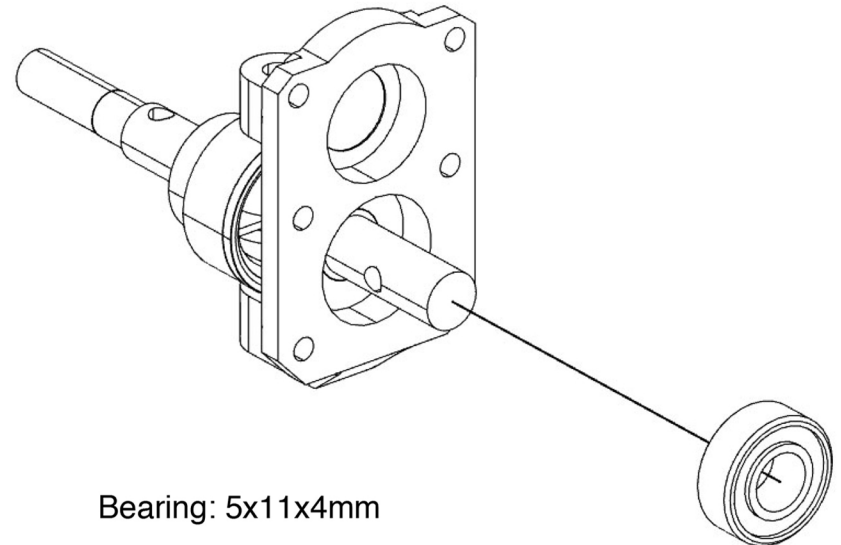


Bearing: 5x10X4mm

5.

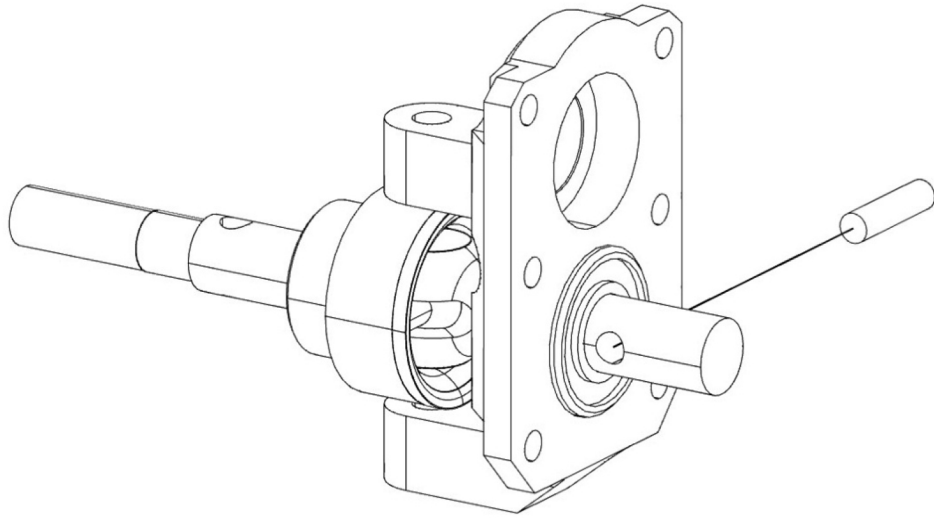


6.



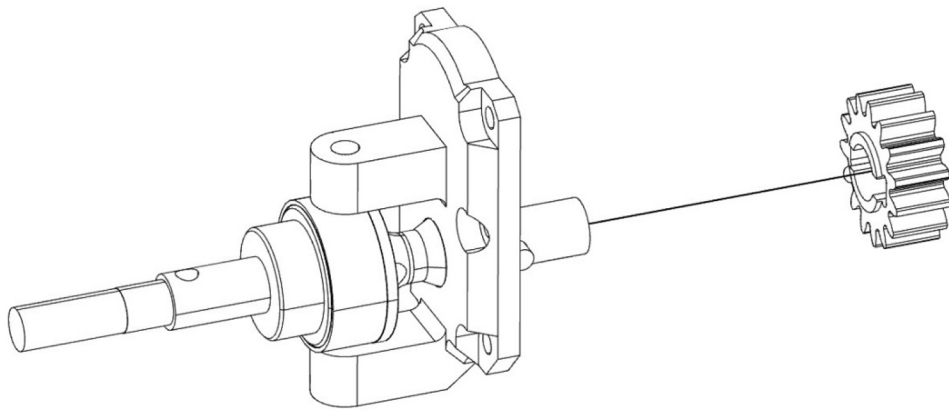
Bearing: 5x11x4mm

7.



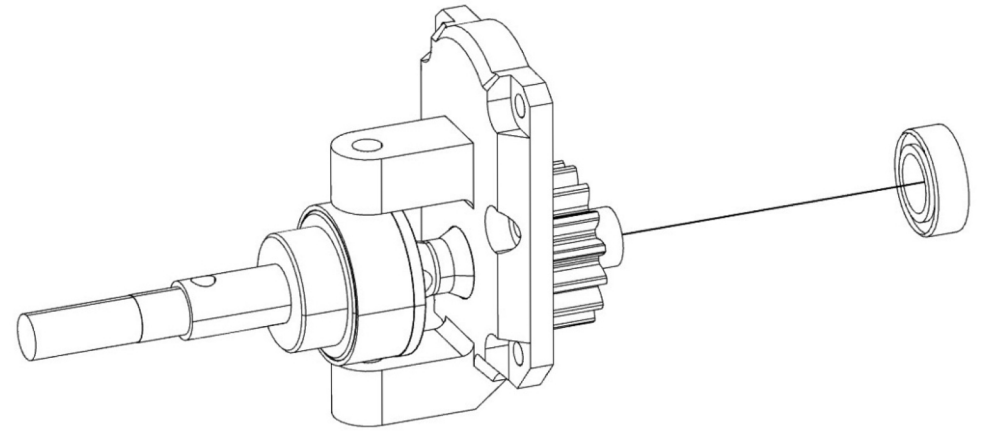
Pin: 2x8mm

8.



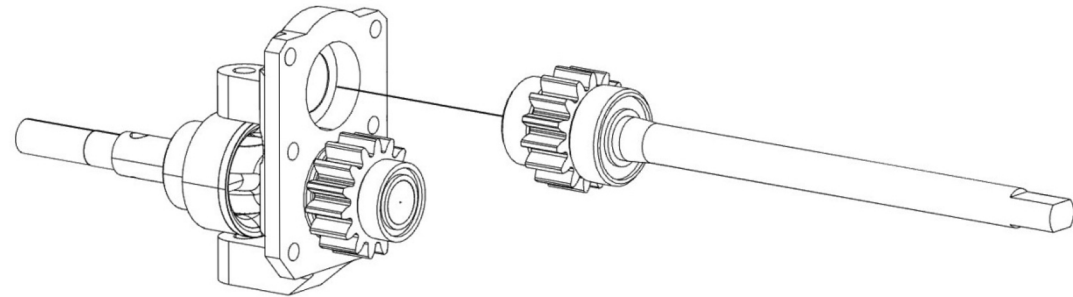
Gear: 15T 32P

9.

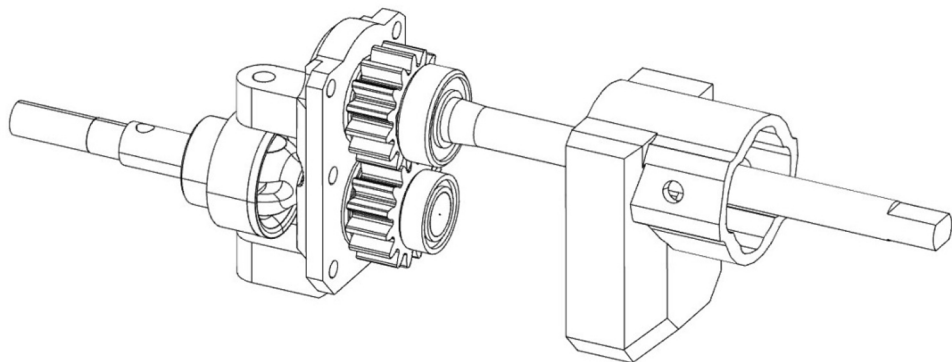


Bearing: 5x9x3mm

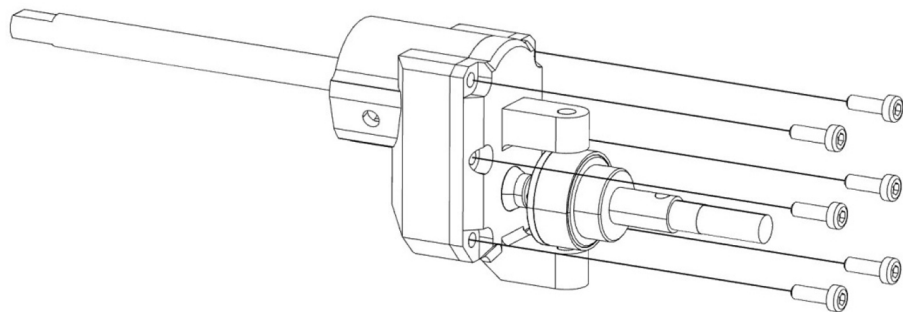
10.



11.



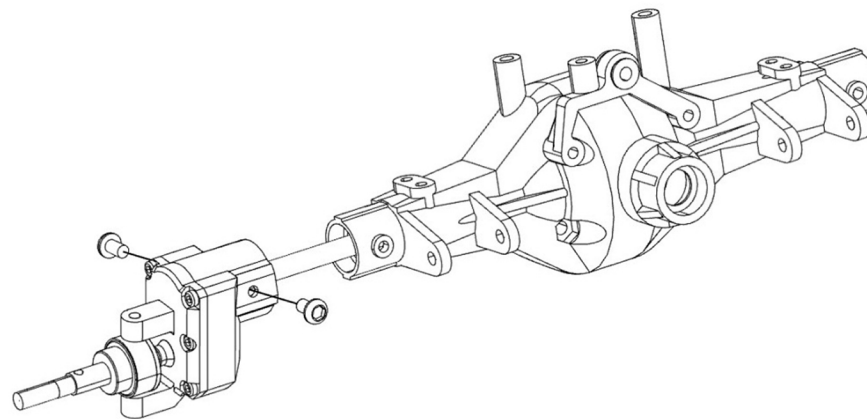
12. Suggested to use Medium grade threadlock(Not Included).



M2x6mm SHCS

Please Repeat these steps for Both Rear Portal Units.

13. Stock M3x6mm Plastic Thread Screws(Not Included).



14. Stock M3x6mm Plastic Thread Screws(Not Included).

