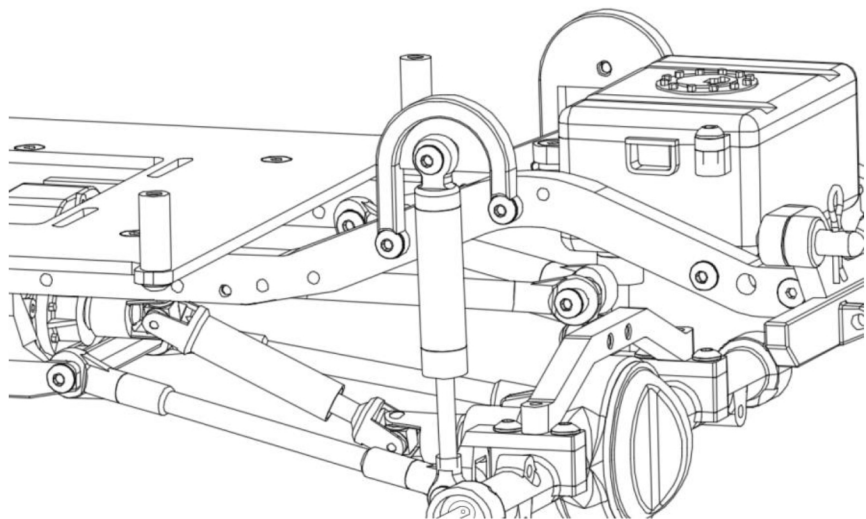
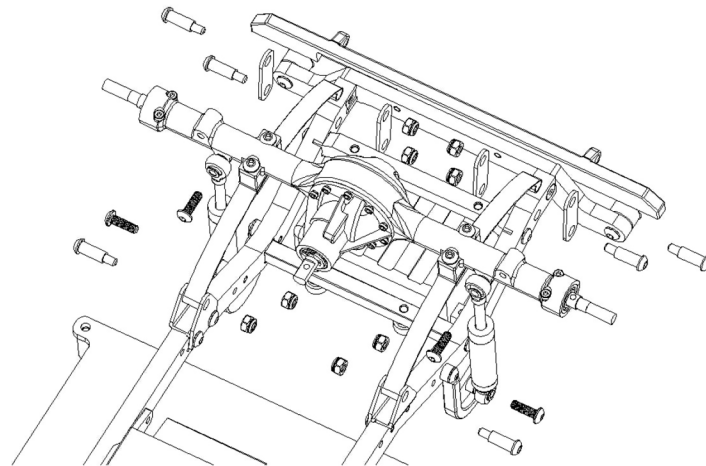


# TF2 SWB Rear 4 Link Kit



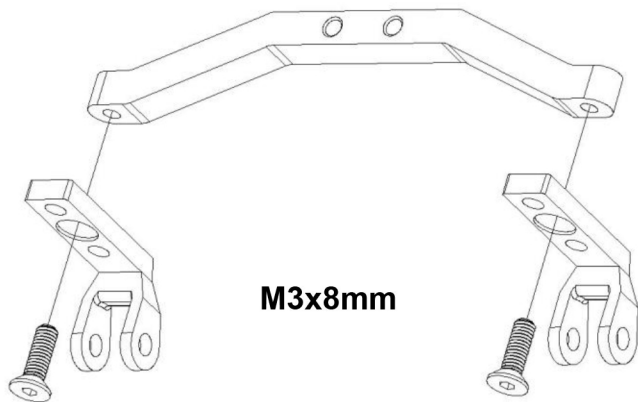
1 Remove rear axle and leaf spring mounting Hardware



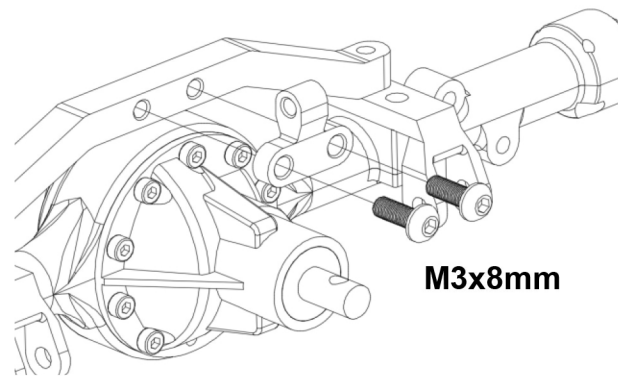
2 Make 2 of each



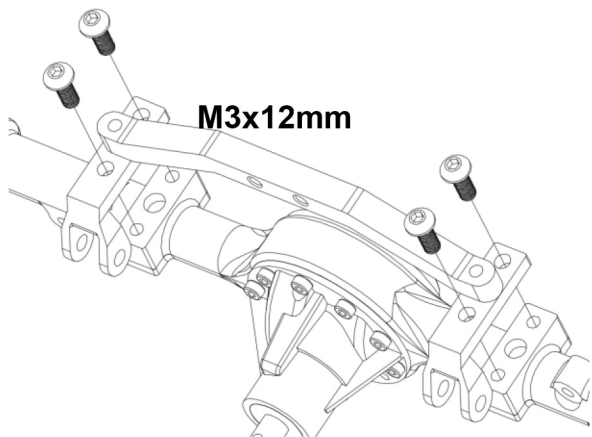
3.



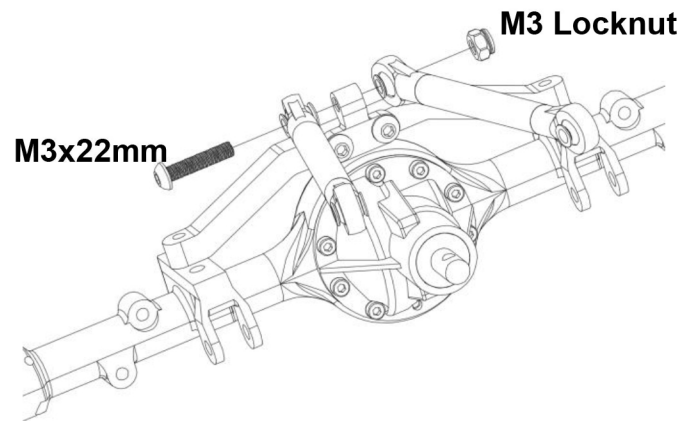
5.



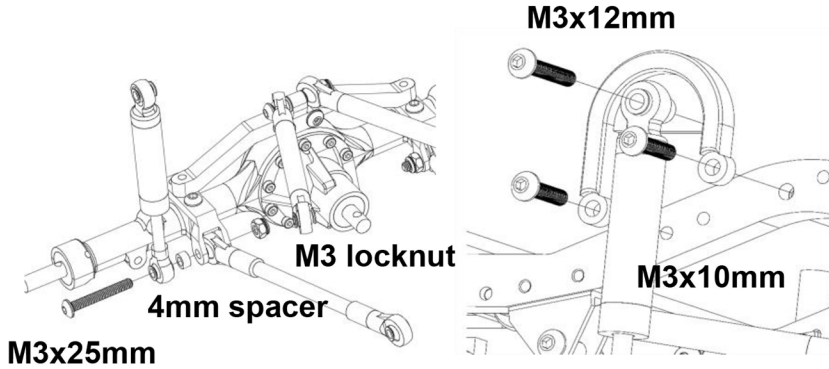
4.



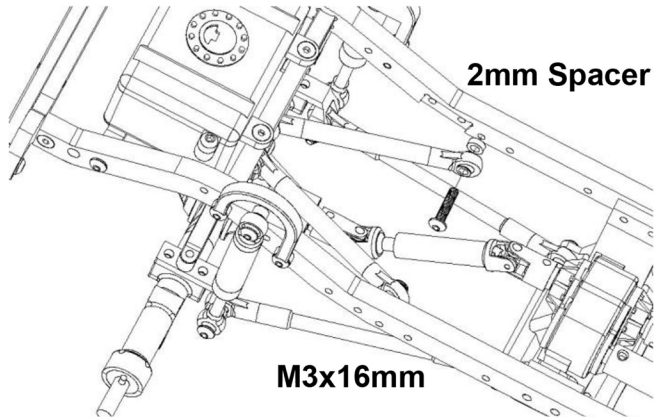
6.



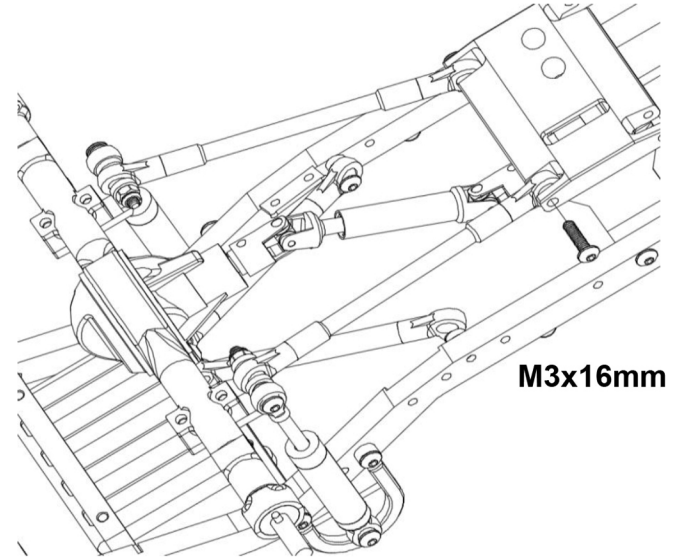
**7 Step 7, 8, & 9 Should be done on both sides of the chassis  
Make 2 of each**



**8 Suggested to use medium grade thread lock (not included)  
Make 2 of each**



**9. Suggested to use medium grade thread lock  
(Not included)**



**Mailing Address:**

**RC4WD**

**618 Blossom Hill Road Suite 201**

**San Jose, CA 95123**

**USA**

**Web: [rc4wd.com](http://rc4wd.com)**

**Email: [support@rc4wd.com](mailto:support@rc4wd.com)**