



Ready to hit the trail?



ALL NEW
FOR 2015

TRAILFINDER 2

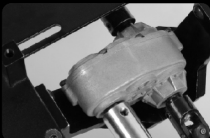
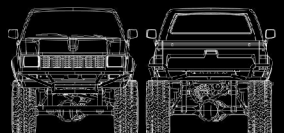
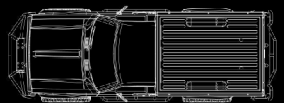
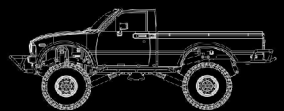
1/10 SCALE OFFROAD TRUCK KIT WITH HARD BODY

Adventures can happen anywhere. Nothing will give you more fun in the sand, dirt, snow, or mud than the Trail Finder 2. Part scale truck, part adventurer, your TF2 is ready for your mud kicking trail-loving lifestyle!

The TF2 has both detailed styling and aggressive performance. You will find a balance of capability and performance built into every TF2. Performance of the TF2 is smooth and with its 2 speed selectable transmission, 4WD drivetrain, bullet-proof transfer case and quality metal components throughout. The TF2 is truly a work of art in both appearance and performance.

Every TF2 is compatible with a full range of option and performance parts designed to enhance the performance and add to the scale look of the only true scale 1/10 offroad truck... The Trailfinder 2. Your adventure awaits....

- Custom Designed for True-to-Scale Looks
- Realistic Billet Aluminum Ladder Frame Chassis
- 2 Speed Remote Selectable Transmission
- Center Mounted Realistic 4x4 Transfer Case
- Cast Metal Axles with Locked Differentials
- True to Scale Leaf Spring Suspension
- Highly Detailed Body with Dropped Bed and More
- 1.55 Stamped Steel Beadlock Wheels with Lug Nuts
- Super Grip High Performance Mud Thrasher Tires
- Realistic Tube Bumpers - Rock Rails - Skid Plate



TRAILFINDER 2

PRECISION ENGINEERED • BULLET-PROOF COMPONENTS • PERFORMANCE PARTS

For more information, upgrades and all the latest news, visit us at: rc4wd.com



ALL NEW
DRIVETRAIN

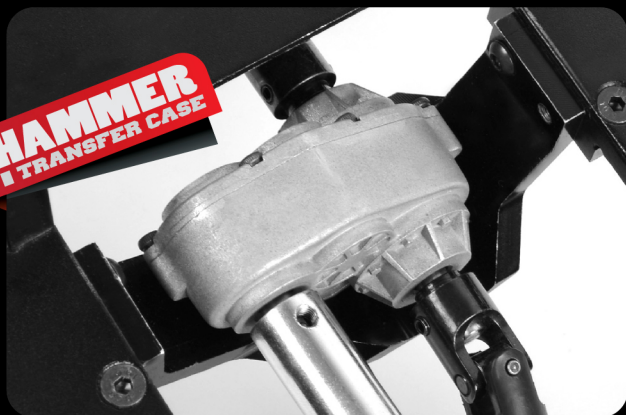
TRAIL FINDER 2

1/10 SCALE OFFROAD TRUCK KIT WITH HARD BODY



2 SPEED
IR3 TRANS

The All New R3 2 speed transmission comes with a fully machined billet aluminum case and new wider gears to allow for more abuse along with a Delrin spur with slipper clutch. The new designed motor mount is adjustable in 10 positions.



HAMMER
TRANSFER CASE

The TF2 includes the new Hammer Transfer Case. Packed with detail, the case features a cast metal exterior and the same new 32P widened gears for durability.



HARDENED
GEARS

Drawing on the success of the RC4WD MOA gear sets, the TF2 drivetrain has the most durable gears RC4WD has to offer so the TF2 will stay on the trail, day after day.



CAST YOTA
AXLES

The most scale accurate axles on the market, the RC4WD Cast Yota axles feature innovative round knuckles, new lower mounting points and compact offset pumpkins.



ALL NEW
DRIVESHAFTS

The Driveshafts for the TF2 are an all new design featuring bulletproof steel universals and a new high quality plastic shaft for great driveline angles and durability on the trail.

DRIVETRAIN



CHASSIS
1 MOUNT SERVO

TRAIL FINDER 2

1/10 SCALE OFFROAD TRUCK KIT WITH HARD BODY



FUEL CELL
1 STORAGE

The TF2 Chassis features a molded fuel cell that doubles as an electronics storage box plus an aluminum, frame-mounted under cab electronics tray for multiple electronics mounting options.



ULTIMATE
1 SCALE SHOCKS

The TF2 includes a set of RC4WD Ultimate Scale Shocks. Designed for ultimate scale looks and ultimate performance. Machined from billet aluminum, rebuildable and internally sprung.



ALUMINUM
1 TF2 CHASSIS

The All New TF2 Chassis is a machined billet aluminum ladder frame design with leaf springs, scale shock hoops, chassis servo mounts and hard body mounts. *4-link conversion available soon!*



1.55 STEEL
15

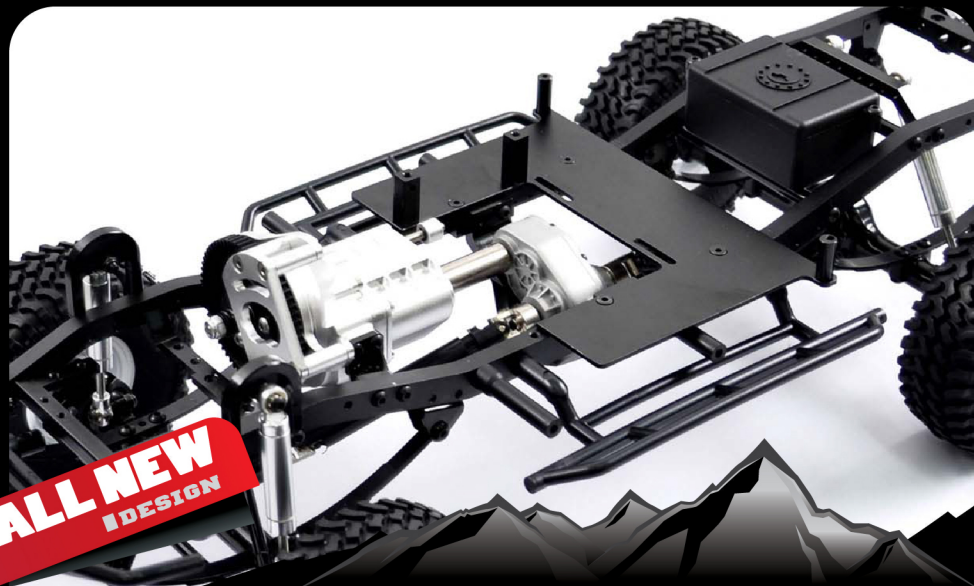
The TF2 includes a set of RC4WD White Stamped Steel 1.55 internal beadlock wheels. Super tough paintable white finish, aluminum internal ring and popular 6 lug design.



1.55 MUD
1 THRASHERS

Every TF2 needs a tough set of rock grabbing tires and the included Mud Thrashers in X3 Compound deliver the traction as well as perfect scale looks in just the right size.

SUSPENSION

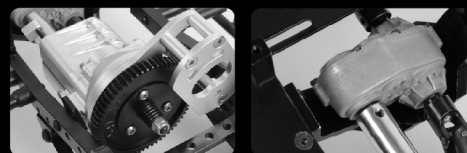


ALL NEW
DESIGN

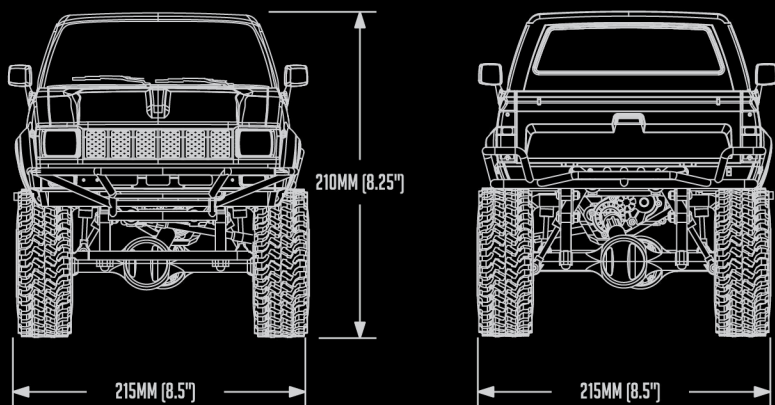
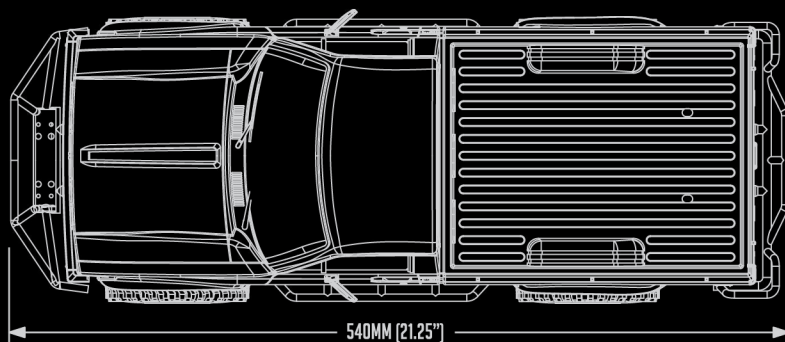
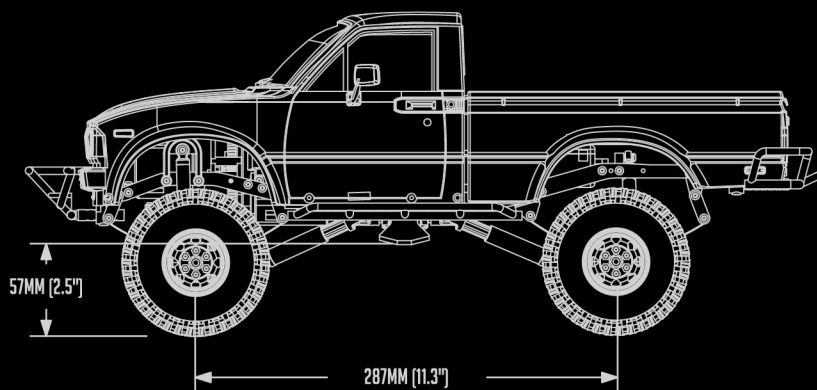
TRAILFINDER 2

1/10 SCALE OFFROAD TRUCK KIT WITH HARD BODY

- Custom Designed for True-to-Scale Looks
- Realistic Billet Aluminum Ladder Frame Chassis
- 2 Speed Remote Selectable Transmission
- Center Mounted Realistic 4x4 Transfer Case
- Cast Metal Axles with Locked Differentials
- True to Scale Leaf Spring Suspension
- Highly Detailed Body with Dropped Bed and More
- 1.55 Stamped Steel Beadlock Wheels with Lug Nuts
- Super Grip High Performance Mud Thrasher Tires
- Realistic Tube Bumpers - Rock Rails - Skid Plate



SPECIFICATIONS



All New Hammer Transfer Case

Ratio - 1.47:1
Gears - Wide 32P steel gears
Features - 8 bearings, cast casing, hardened gears

All New R3 2 Speed Transmission

Ratios
Pinion/spur 14/64 = 4.57:1
1st gear 3.47:1
2nd gear 1.27:1
Gears - Wide steel 32P, Delrin spur, slipper clutch,
Features - Machined billet aluminum casing, scale looking, Motor mount can be rotated to 10 different positions, compatible with other brand spurs (Axial, Traxxas, Robinson)

Cast Yota Axles

Ratio: 15/40 = 2.67:1
Width at hex (using 4mm TF2 hexes): 176.5mm

All New Trailfinder 2 Chassis

Features - Billet aluminum construction
Adjustable shock hoops

Driveshafts

High quality plastic material, very durable
High quality steel Yokes

Wheels

Name: 1.55 OEM beadlock wheels
Hub: 12mm hex
Width: 22mm
Back spacing: 9mm
Features: Stamped steel, aluminum hub, internal beadlock, very scale looking, 6 bolt pattern,

Bumpers

Tough Armor TF2 Winch front bumper
Tough Armor TF2 Rear Bumper
Tough Armor TF2 Side Sliders
Authentic looking crawler style tube bumper. Very high quality flexible plastic, very durable, very scale.

TF2 Truck Dimensions

Wheels base: 287mm (11.3")
Width: 215mm (8.5")
Height: 210mm (8.25")
Ground clearance: 57mm (2.5")
Final Drive Ratios: 1st - 62.1:1, 2nd - 22.75:1





ALL NEW
FOR 2012

TRAILFINDER 2

1/10 SCALE OFFROAD TRUCK KIT WITH HARD BODY



BOLT-ON
DETAILS

The Mojave Body Set includes add on windshield wipers, mirrors, marker light details and door handles for the ultimate in scale looks. These items are also easily replaceable if damaged.



SQUARE
HEADLIGHTS

The TF2 Mojave body features new late model style square headlights, chrome bumpers and a redesigned shape of the classic 4x4 body style. More accurately proportioned and better details.



DROPPED
BED

The TF2 Mojave Body Set includes an industry first dropped bed molded directly into the body. Perfect for carrying all you scale accessories or spare wheel and tire.



FULL CAB
INCLUDED

Another industry first, the TF2 Mojave Body Set includes a bolt on, scale accurate molded cab back with every kit so you can use just the cab for a truggy style build.



BUMPERS
ROCK RAILS

The Trailfinder 2 kit also includes all new scale rock rails plus front and rear tube rock guard bumpers. The front bumper has a winch mount built right in for an optional RC4WD winch.

THE DETAILS