

D44 Axle Parts List

Attention

All D44 axles require Axial axle ring gear/differential/locker and pinion gear shaft to function.

D44 Narrow Front axle (SCX10 Width)

Z-S1030 D44 Differential Housing
Z-S1023 D44 Narrow Front Axle Tubes
Z-S1029 D44 Axle C Hub
Z-S0955 D44 Steering Knuckles
Z-S0989 XVD Shafts for D44 Narrow Front Axle
Z-S1022 D44 Lower Link Mounts for SCX10
Z-S1071 D44 Panhard Mount for SCX10 CMS
Z-S1024 D44 Narrow Front Axle Upper Link Mount
Z-S1072 D44 Link Set for SCX10 CMS

Bearings

6 * 5 x 11 x 4mm (Z-S0683)
4 * 10 x 15 x 4mm (Z-S0837)

Note:

When installing this axle in the SCX10 chassis you will need the RC4WD SCX10 CMS kit (Z-S0923)

D44 Narrow Rear axle (SCX10 Width)

Z-S1030 D44 Differential Housing
Z-S1021 D44 Narrow Rear Axle Tubes
Z-S1073 D44 Rear Axle Bearing Caps
Z-S0899 D44 Narrow Straight Rear Axle Shafts
Z-S1022 D44 Lower Link Mounts for SCX10
Z-S0971 D44 Rear Axle Upper Link Mount (Black)

Bearings

2 * 5 x 11 x 4mm (Z-S0683)
2 * 10 x 15 x 4mm (Z-S0837)
2 * 5 x 10 x 4mm (Z-S0686)

D44 Wide Front Axle (Wraith/AR60 Width)

Z-S1030 D44 Differential Housing
Z-S1027 D44 Wide Front Axle Tubes
Z-S1029 D44 Axle C Hub
Z-S0955 D44 Steering Knuckles
Z-S1020 XVD Shafts for D44 Wide Front Axle
Z-S1026 D44 Lower Link Mounts for Wraith
Z-S1074 D44 Panhard Mount for Wraith CMS
Z-S1028 D44 Wide Front Axle Upper Link Mount
Z-S1075 D44 Link Set for Wraith CMS

Bearings

6 * 5 x 11 x 4mm (Z-S0683)
4 * 10 x 15 x 4mm (Z-S0837)

Note:

When installing this axle in the Wraith you will need the RC4WD Wraith CMS kit (Z-S0647)

D44 Wide Rear Axle (Wraith/AR60 Width)

Z-S1030 D44 Differential Housing
Z-S1025 D44 Wide Rear Axle Tubes
Z-S1073 D44 Rear Axle Bearing Caps
Z-S0990 D44 Wide Straight Rear Axle Shafts
Z-S1026 D44 Lower Link Mounts for Wraith
Z-S0971 D44 Rear Axle Upper Link Mount (Black)

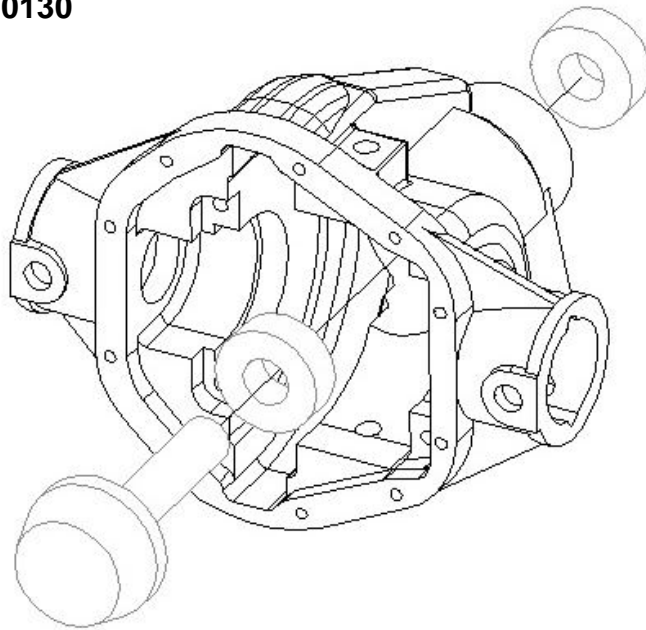
Bearings

2 * 5 x 11 x 4mm (Z-S0683)
2 * 10 x 15 x 4mm (Z-S0837)
2 * 5 x 10 x 4mm (Z-S0686)

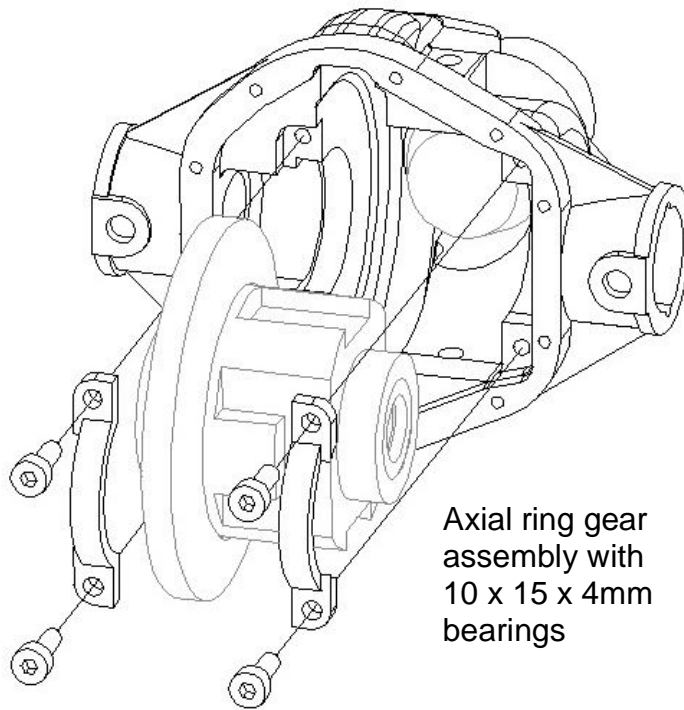
D44 Diff Housing Assembly

Z-S0130

5 x 11 x 4mm
bearing



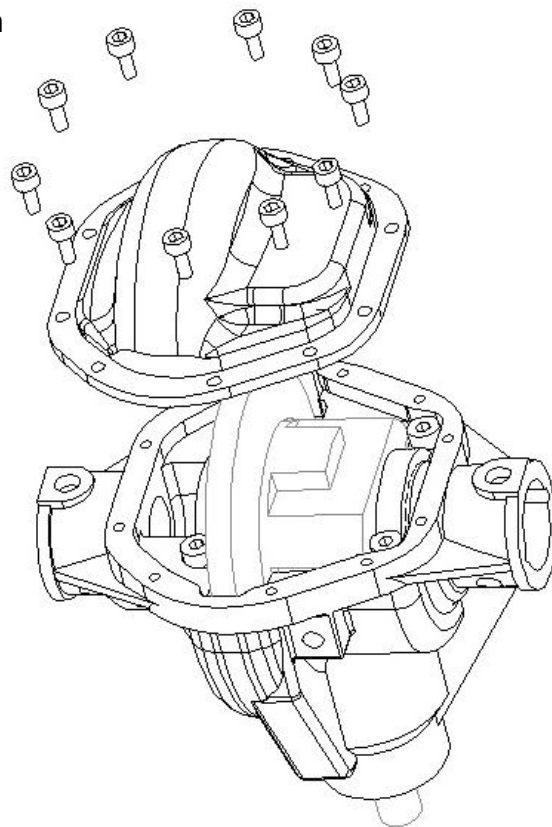
Axial pinion gear shaft



Axial ring gear
assembly with
10 x 15 x 4mm
bearings

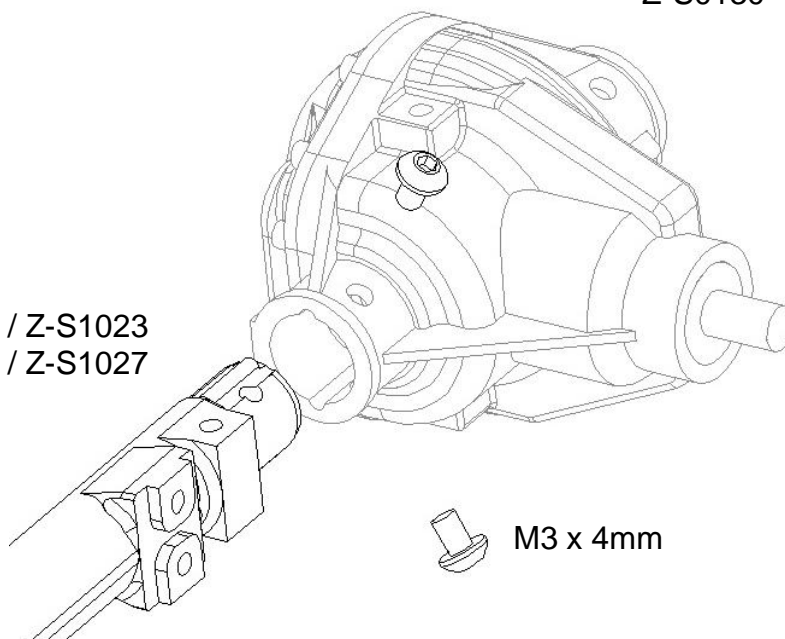
M2 x 6mm

M1.6 x 4mm



Z-S0130

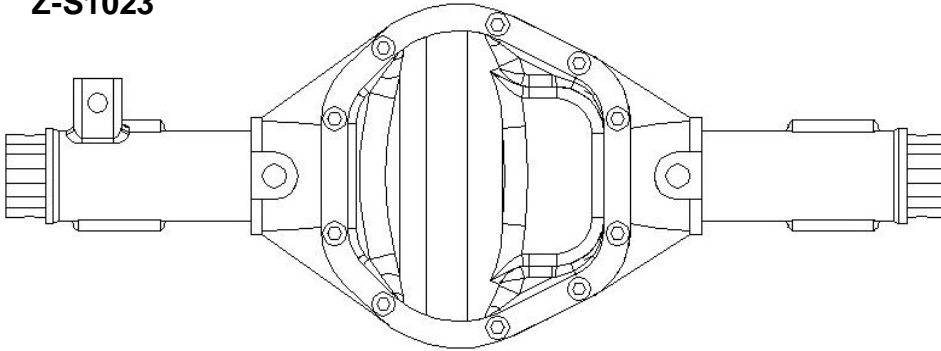
Z-S1021 / Z-S1023
Z-S1025 / Z-S1027



D44 Front Axle Assembly

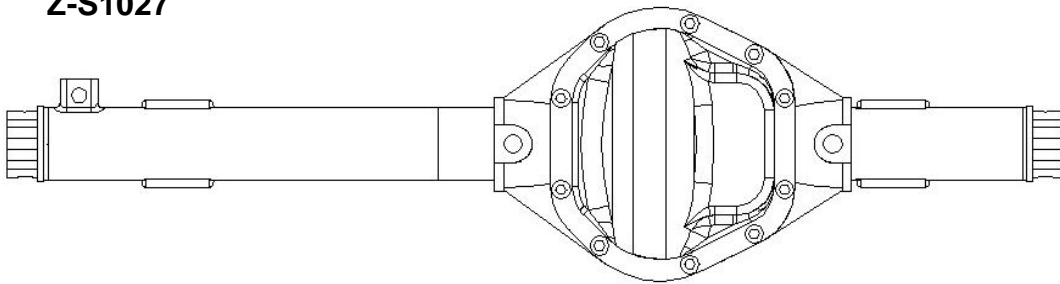
SCX10 Width

Z-S1023

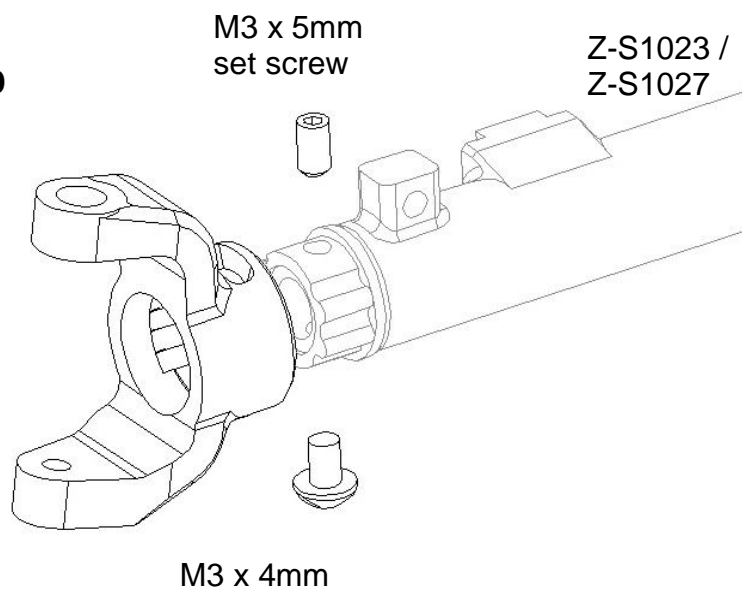


Wraith/AR60 Width

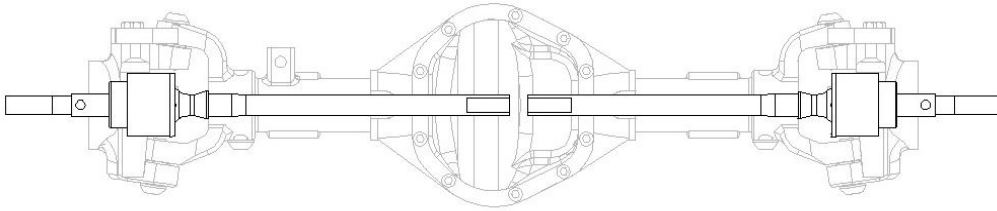
Z-S1027



Z-S1029



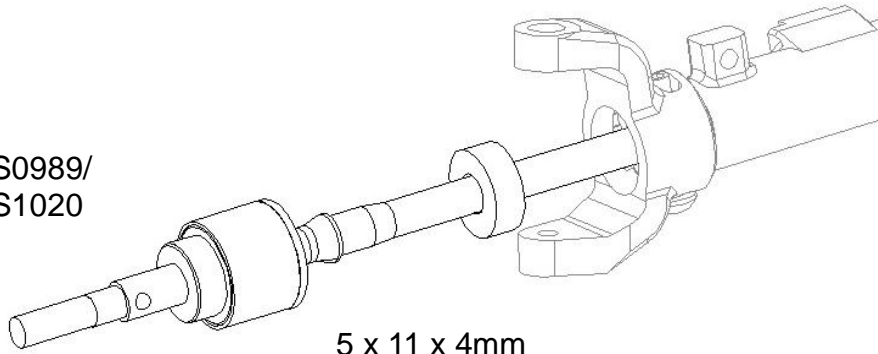
Z-S0989



Long shaft on this side

Z-S1029

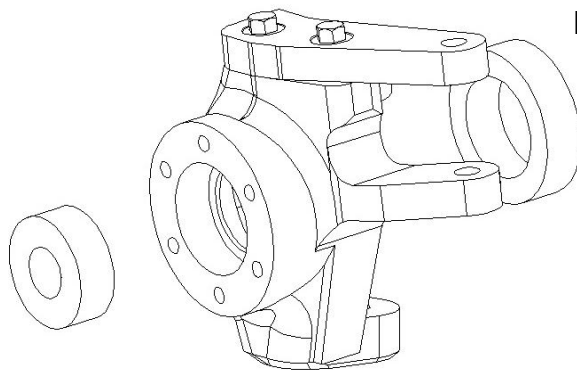
Z-S0989/
Z-S1020



5 x 11 x 4mm
bearing

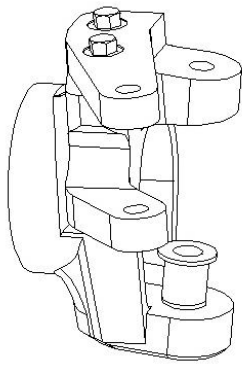
Z-S0955

10 x 15 x 4mm
bearing

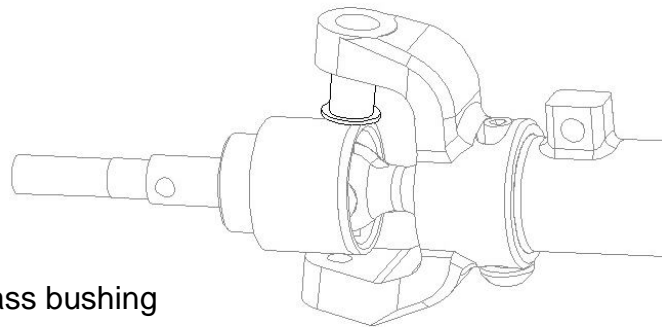


5 x 11 x 4mm
bearing

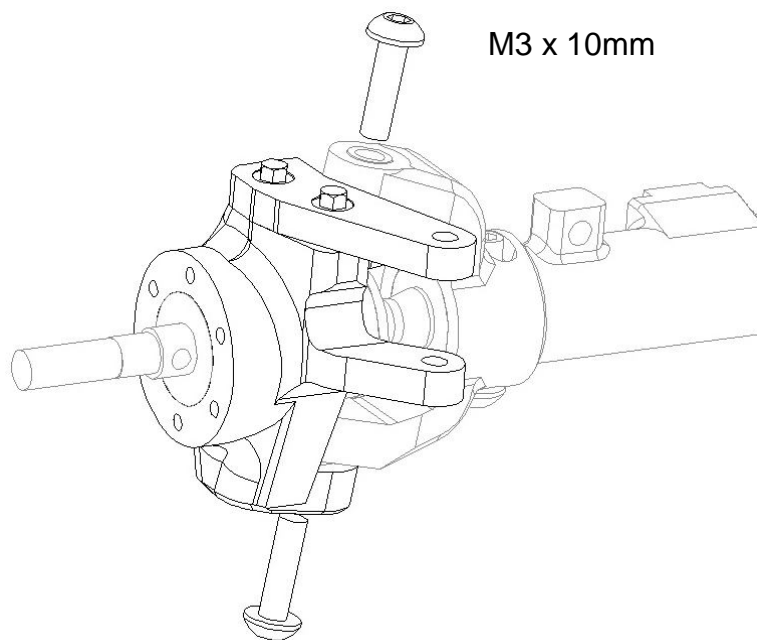
Z-S0955



Z-S1029



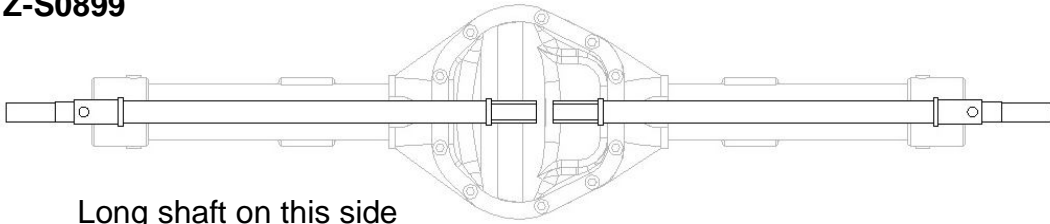
Brass bushing



M3 x 10mm

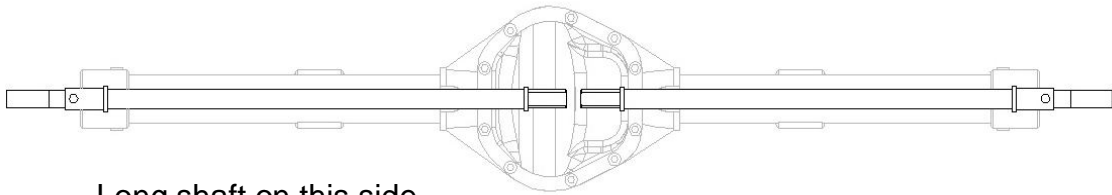
D44 Rear Axle Assembly

Z-S0899



Long shaft on this side

Z-S0990

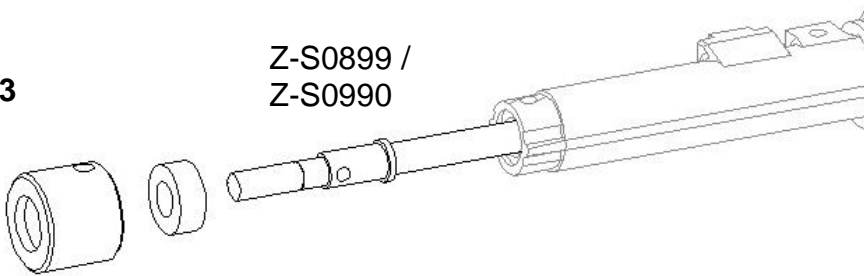


Long shaft on this side

Z-S1021 / Z-S1027

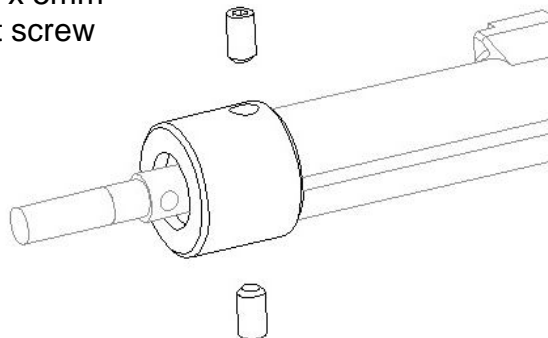
Z-S1073

**Z-S0899 /
Z-S0990**



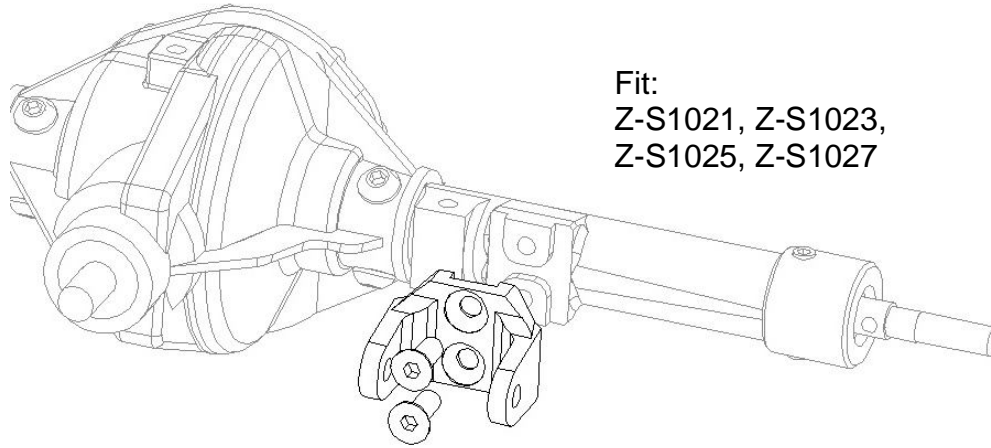
5 x 10 x 4mm
bearing

**M3 x 5mm
Set screw**



D44 Lower Link Mounts

SCX10 Width

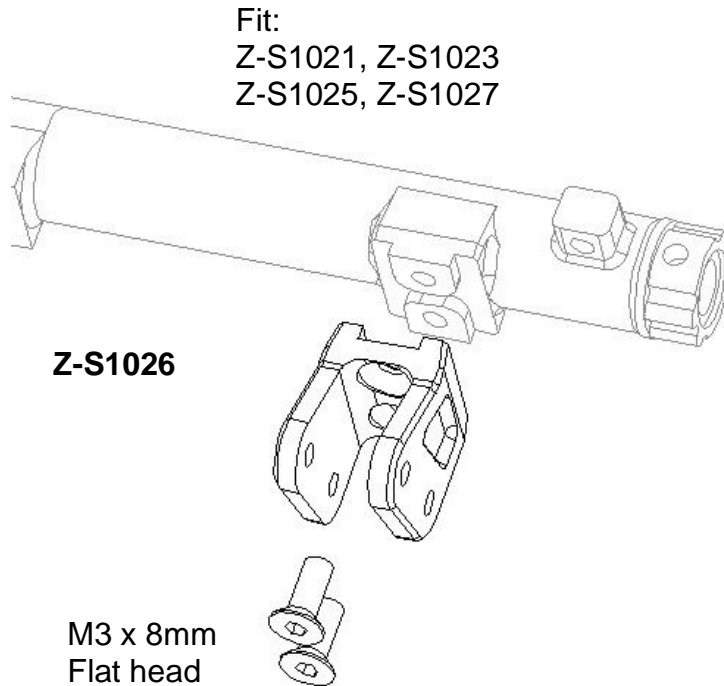


Fit:
Z-S1021, Z-S1023,
Z-S1025, Z-S1027

Z-S1022

M3 x 8mm
Flat head

Wraith/AR60 Width



Fit:
Z-S1021, Z-S1023
Z-S1025, Z-S1027

Z-S1026

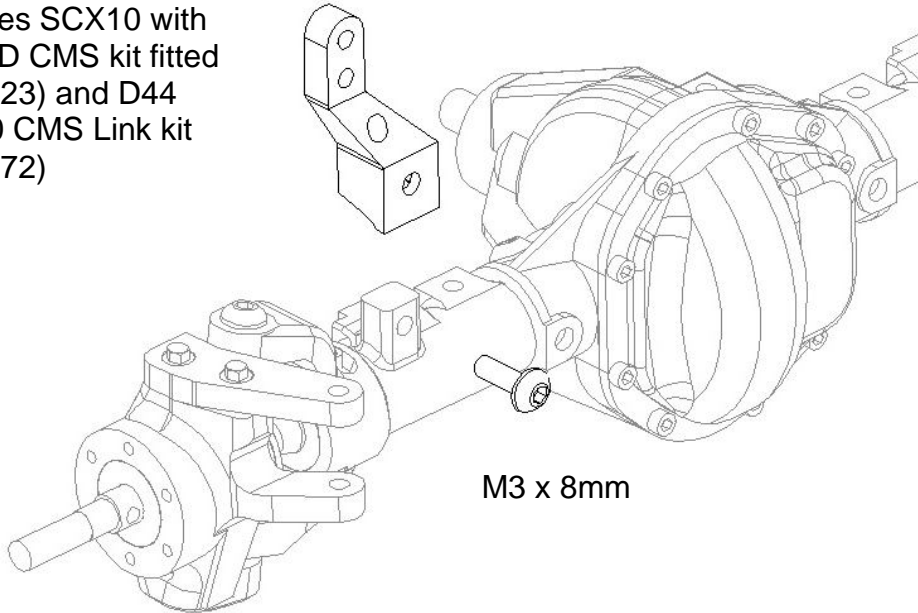
M3 x 8mm
Flat head

D44 Front Axle Panhard Bar Mounts

For SCX10

Z-S1071

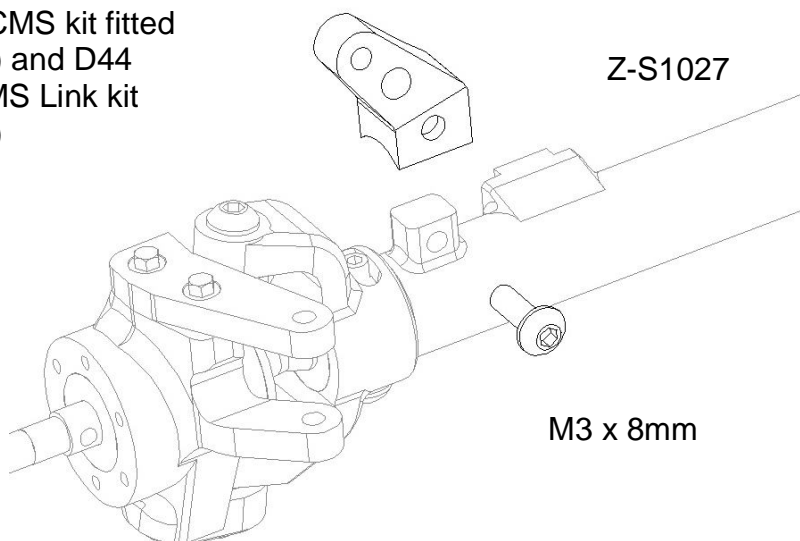
Requires SCX10 with RC4WD CMS kit fitted (Z-S0923) and D44 SCX10 CMS Link kit (Z-S1072)



For Wraith

Z-S1074

Requires Wraith with RC4WD CMS kit fitted (Z-S0647) and D44 Wraith CMS Link kit (Z-S1075)

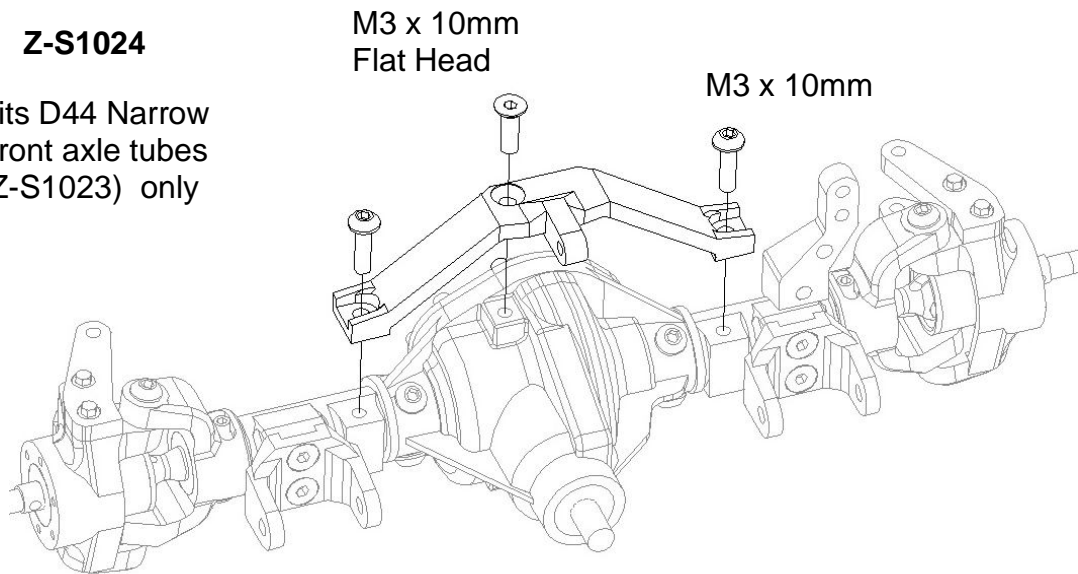


D44 Front Upper Link Mounts

SCX10 Width

Z-S1024

Fits D44 Narrow Front axle tubes (Z-S1023) only

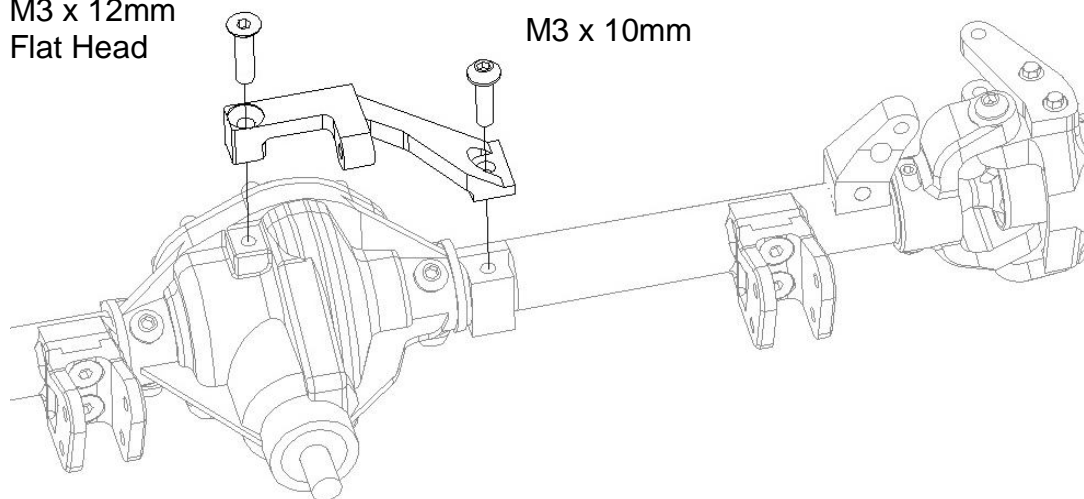


Wraith/AR60 Width

Z-S1028

M3 x 12mm Flat Head

M3 x 10mm



D44 Rear Upper Link Mounts

