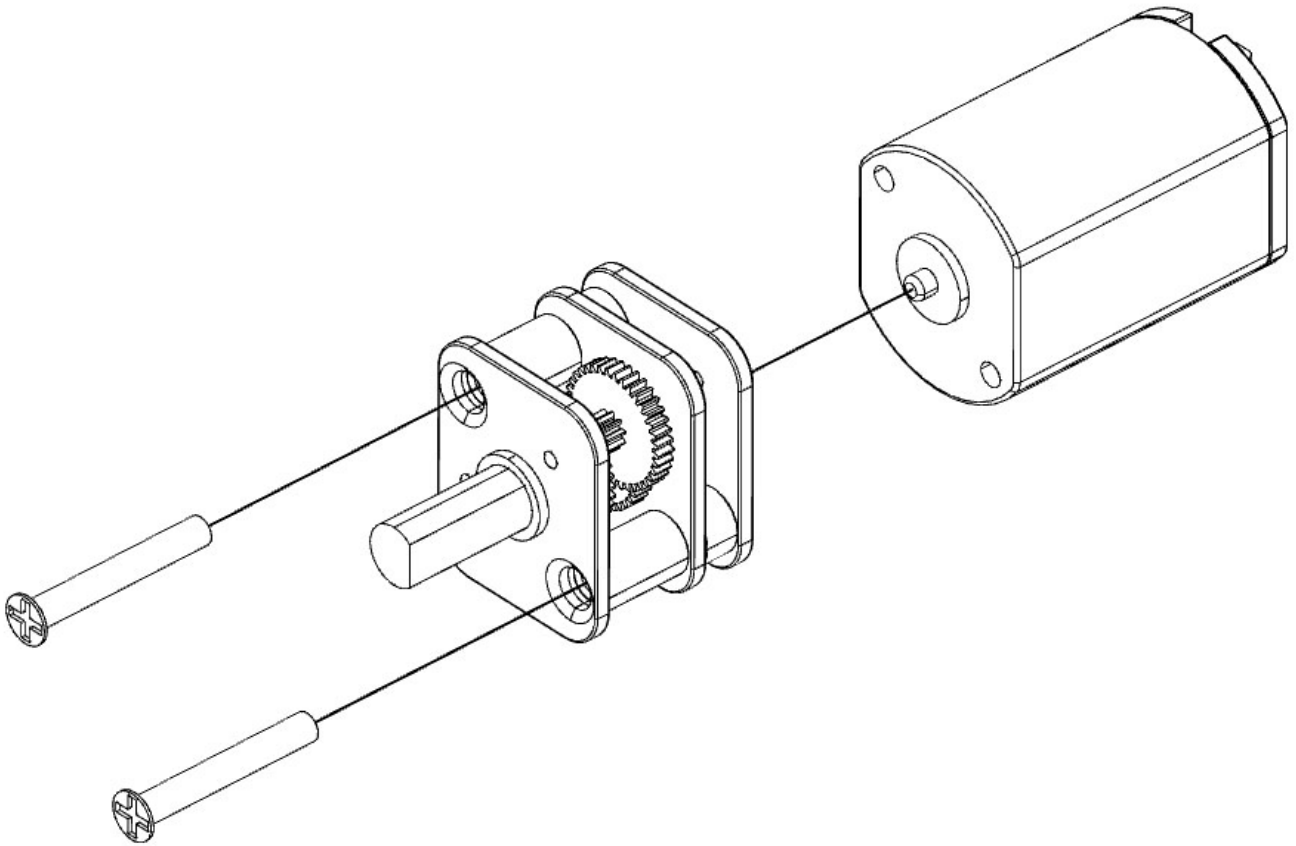


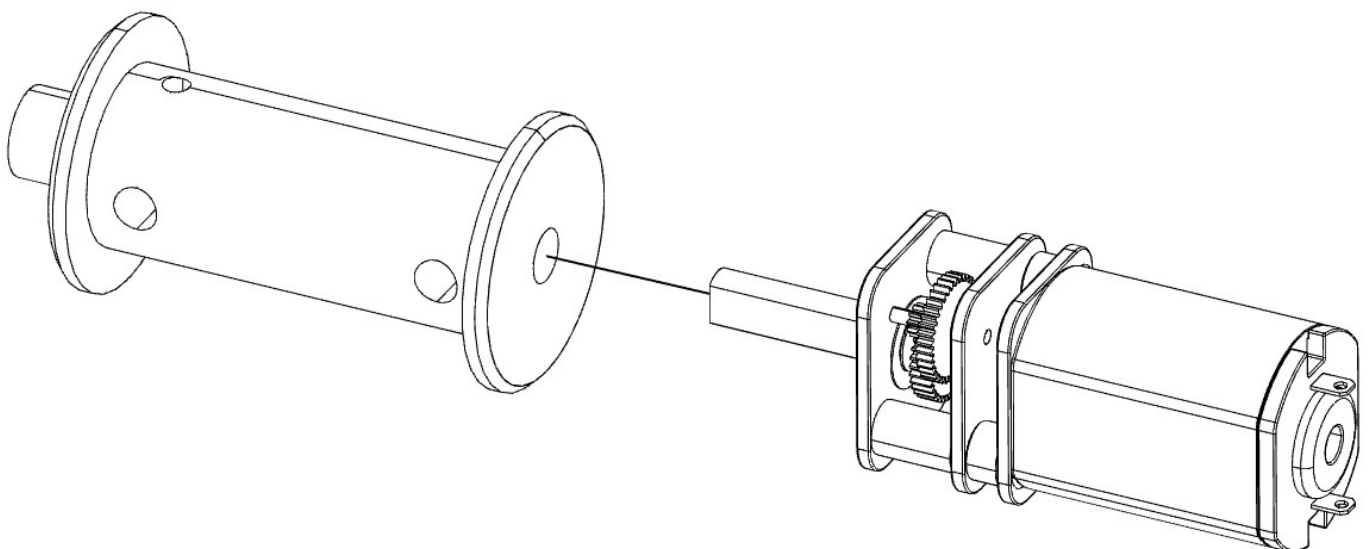
RC4WD Warn 9cti Winch Assembly Instructions

1.



2x M1.4x10mm FHCS

2.



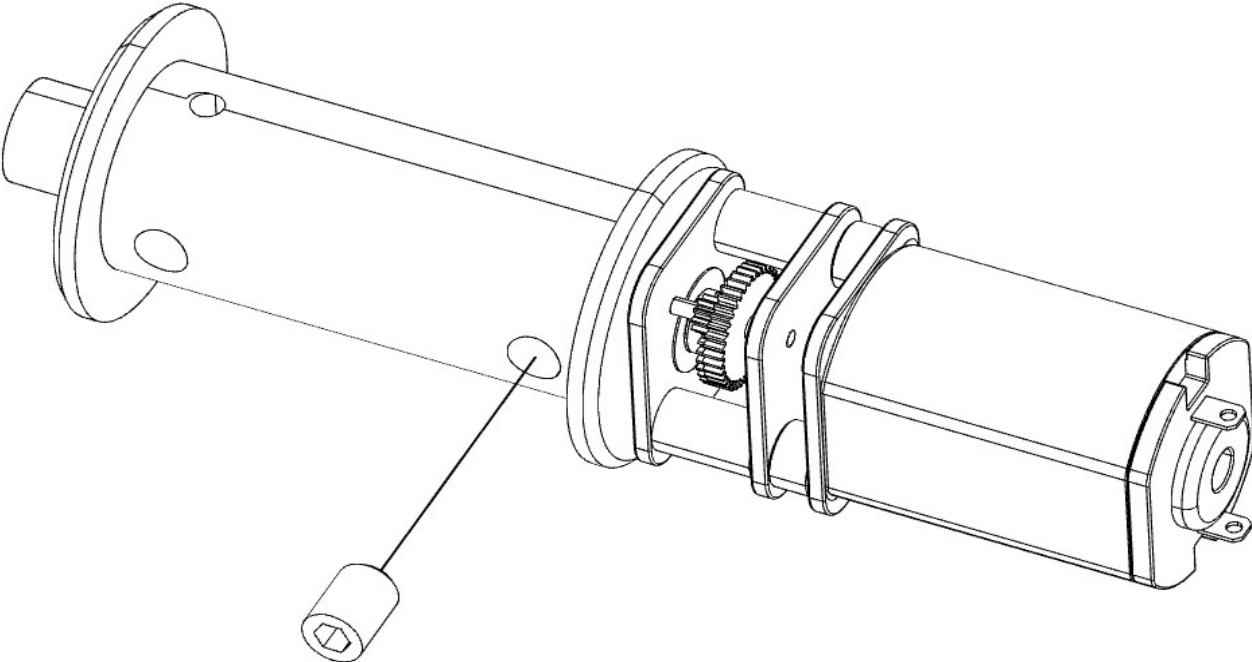
1/10 WARN 9.5CTI WINCH

Warn® and Warn logo property of Warn and used under license by Warn Industries



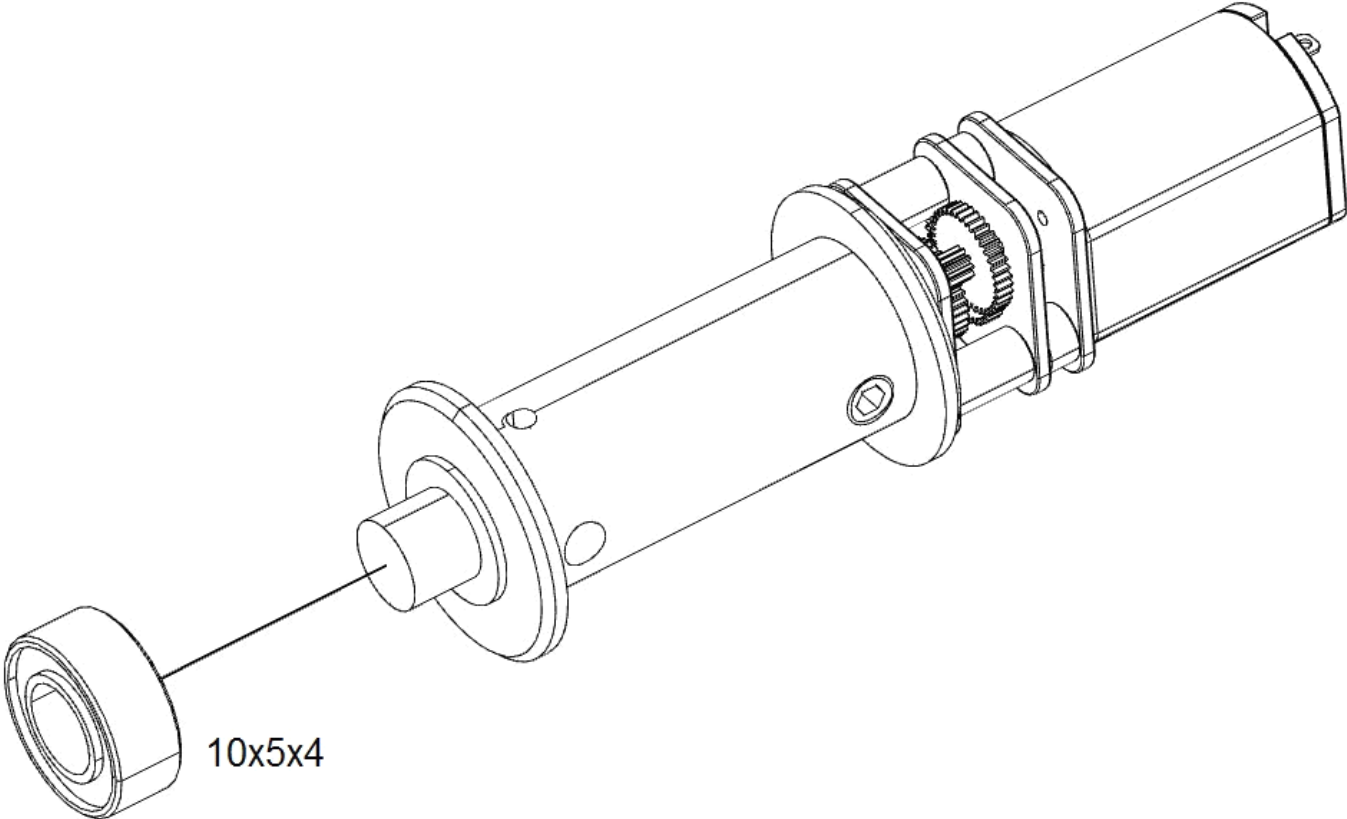
RC4WD Warn 9cti Winch Assembly Instructions

3.



M3x4mm Socket Set Screws

4.



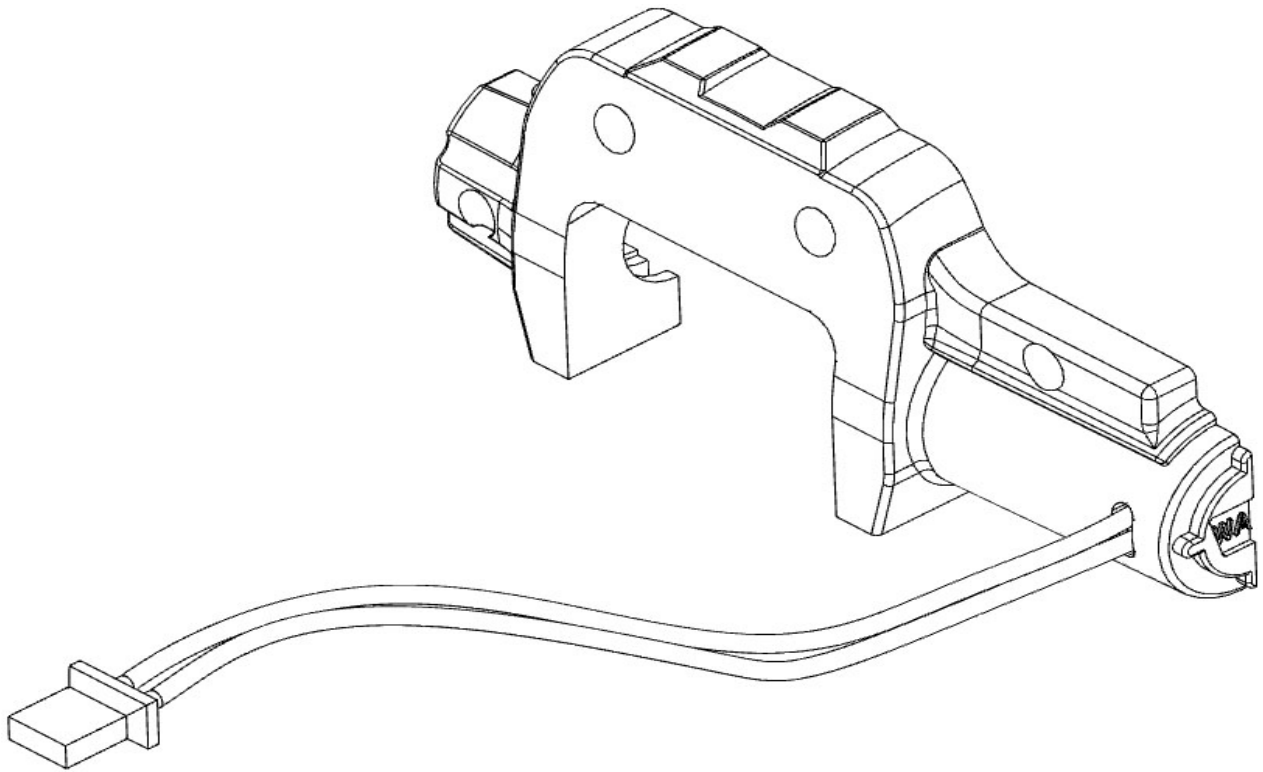
1/10 WARN 9.5CTI WINCH

Warn® and Warn logo property of Warn and used under license by Warn Industries

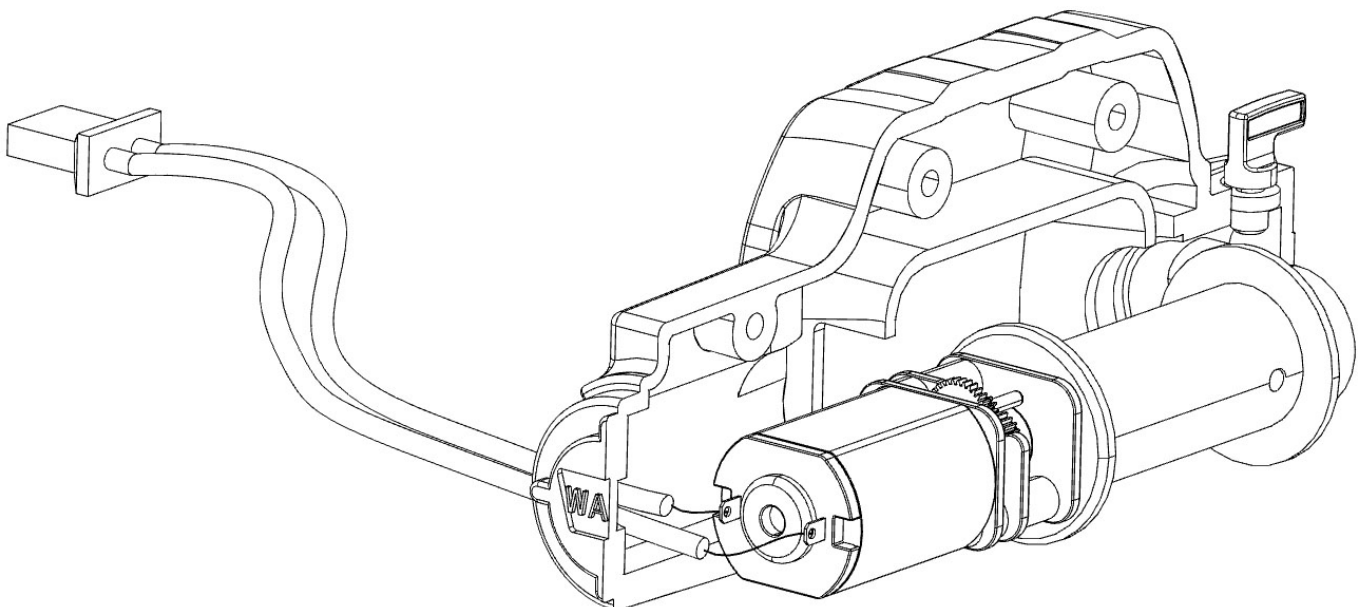


RC4WD Warn 9cti Winch Assembly Instructions

5. Insert the wires into the case.



6. Solder wires onto motor



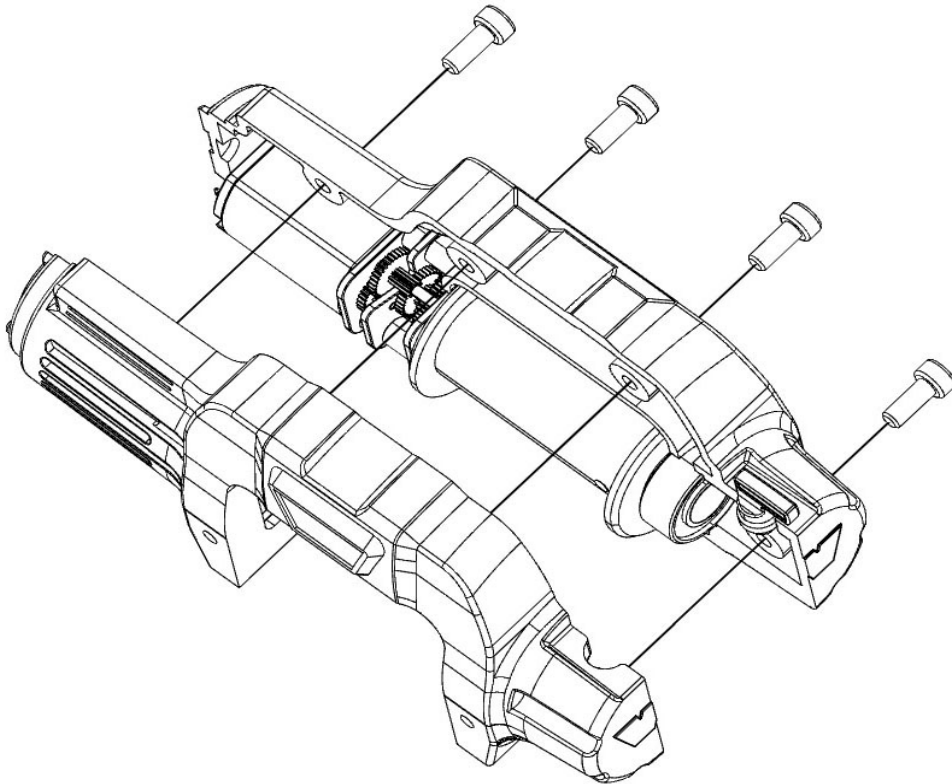
1/10 WARN 9.5CTI WINCH

Warn® and Warn logo property of Warn and used under license by Warn Industries



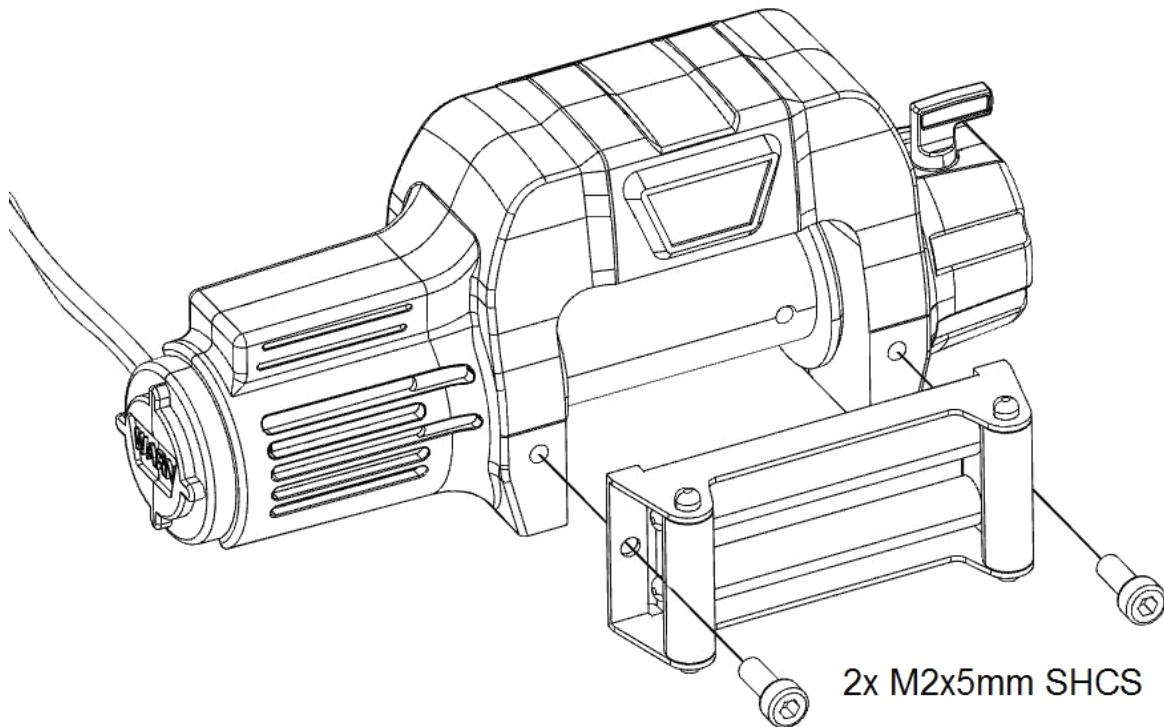
RC4WD Warn 9cti Winch Assembly Instructions

7.



4x M2x5mm SHCS

8.



2x M2x5mm SHCS

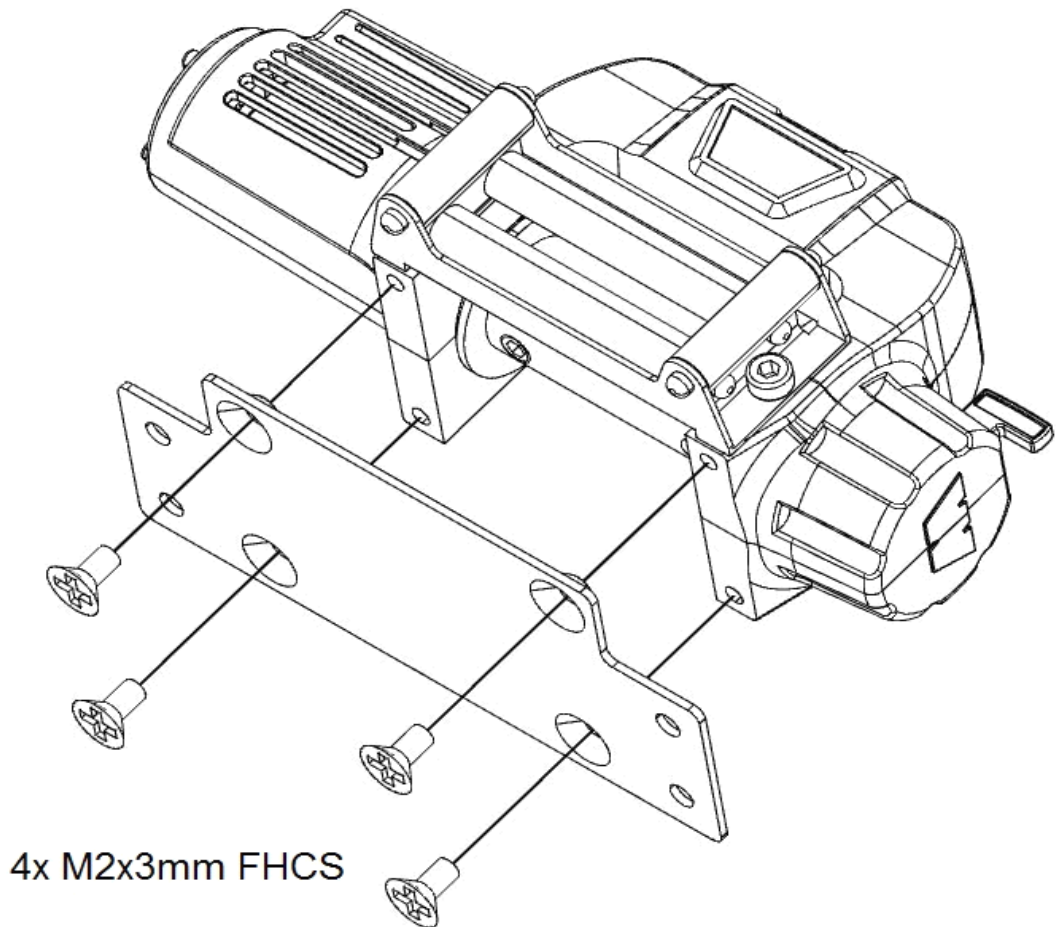
1/10 WARN 9.5CTI WINCH

Warn® and Warn logo property of Warn and used under license by Warn Industries

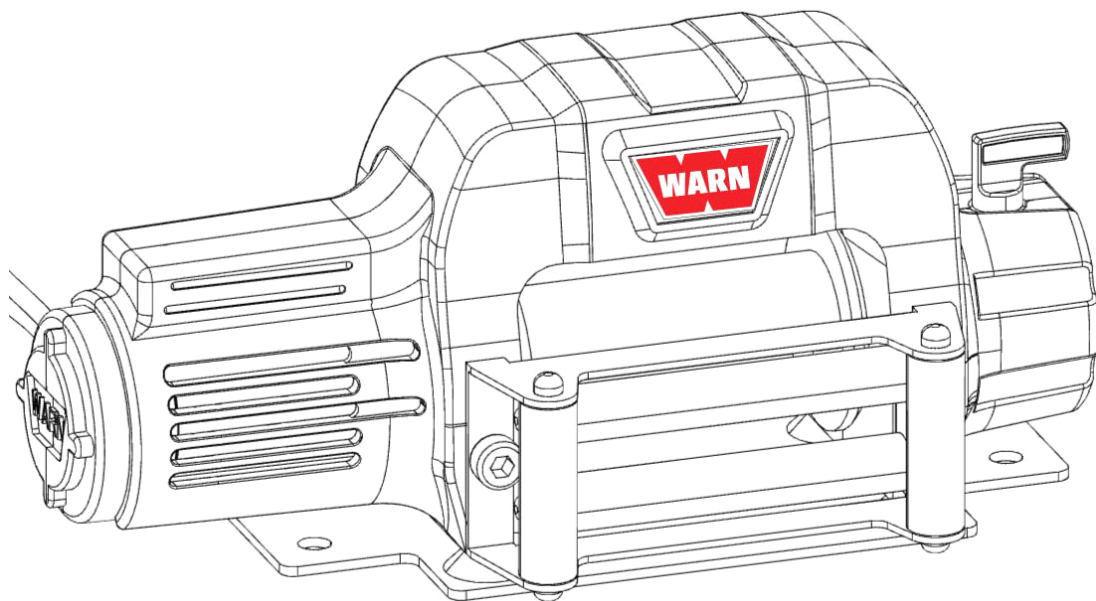


RC4WD Warn 9cti Winch Assembly Instructions

9.



10.



1/10 WARN 9.5CTI WINCH

Warn® and Warn logo property of Warn and used under license by Warn Industries

