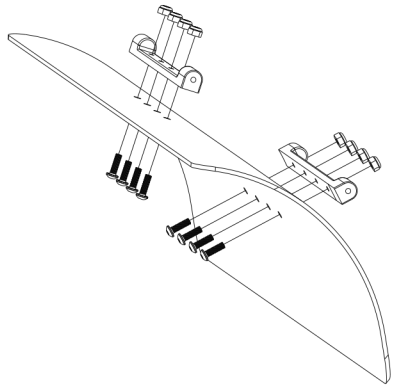
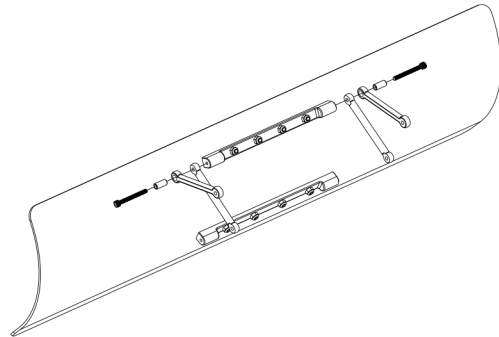


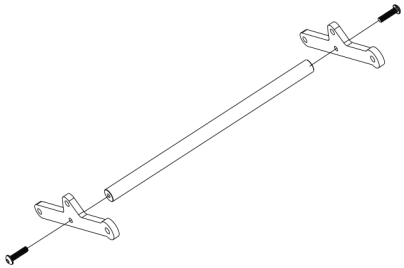
Step 1: 8 x M3 x 10mm BHCS.
8 x M3 Nylock Nut.



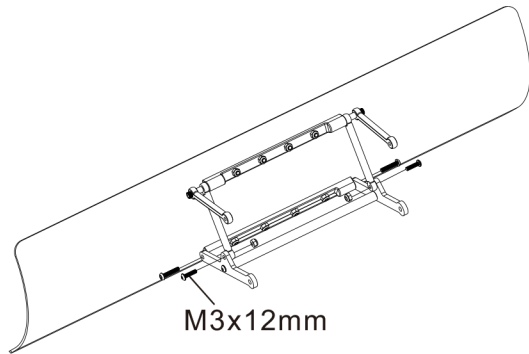
Step 2: 2 x M3 x 25mm SHCS.



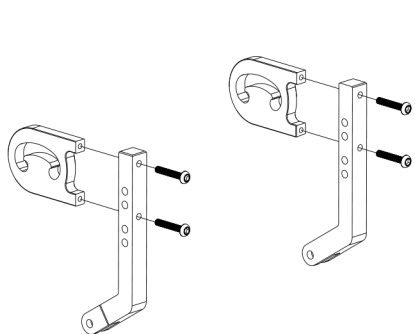
Step 3: 2 x M3 x 12mm BHCS.



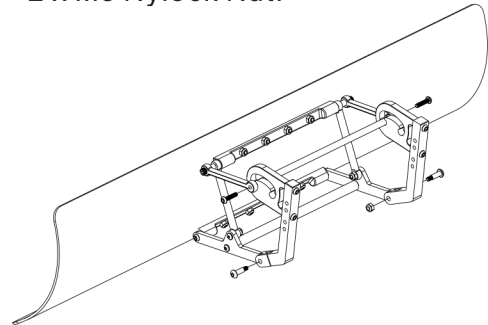
Step 4: 2 x M3 x 16mm BHCS.
2 x M3 x 12mm BHCS.
2 x M3 Nylock Nut.



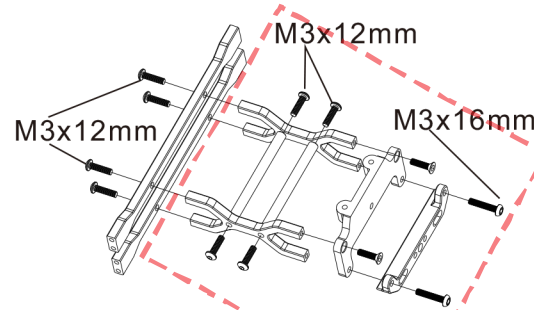
Step 5: 4 x M3 x 18mm BHCS



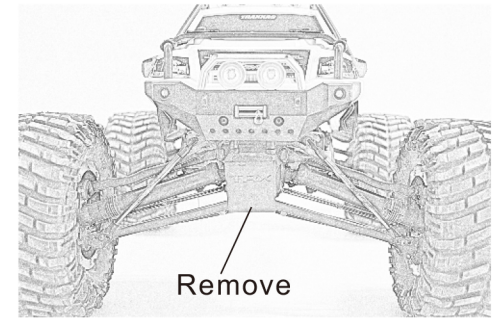
Step 6: 2 x M3 x 14mm BHCS.
2 x Leaf Spring Shoulder Screws.
2 x M3 Nylock Nut.



Step 7: 2 x M3 x 16mm BHCS.
8 x M3 x 12mm BHCS.
2 x M3 x 10mm FHCS.

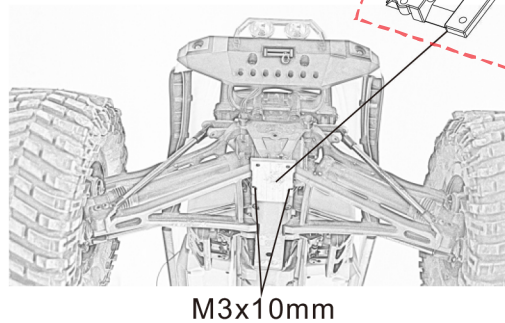


Step 8: Remove the lower front skid from you Traxxas truck.

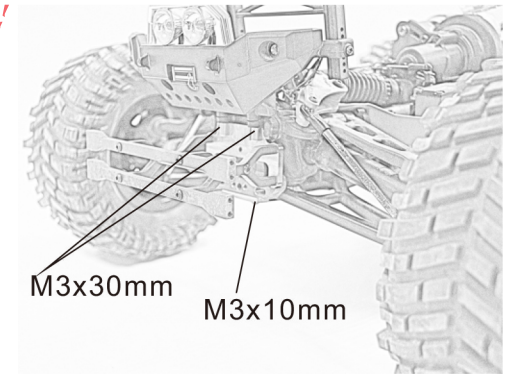


Step 9: 2 x M3 x 10mm BHCS

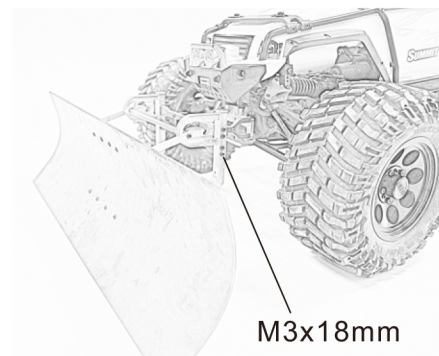
Z-S1502



Step 10: Take the Plow mount assembly from step 7 and install here. 2 x M3 x 30mm BHCS.
2 x M3 x 10mm BHCS.



Step 11: Take the Plow assembly from step 6 and install here like shown. 8 x M3 x 18mm BHCS.



Notice: We have included 4 links that are used to replace the shocks on the Traxxas Trucks. This will allow the plow to work properly as the shocks are not strong enough to hold the plow up by themselves.